

AH64AN02T-5C

EN Instruction Sheet
TR Bilgi Dökümanı
TW 安裝說明
CN 安装说明



5012615704
2022-05-13



www.deltaww.com



- EN ✗ This is an OPEN TYPE module and therefore should be installed in an enclosure free of airborne dust, humidity, electric shock and vibration. The enclosure should prevent non-maintenance staff from operating the device (e.g. key or specific tools are required for operating the enclosure) in case danger and damage on the device may occur.
- FR ✗ Ceci est un module ouvert et il doit donc être installé dans un coffret à l'abri des poussières, des vibrations et ne pas être exposé aux chocs électriques. Le boîtier ou l'armoire doit éviter toute action d'un personnel autre que celui affecté à la maintenance de l'appareil (par exemple, clefs, outils spécifiques pour l'ouverture du coffret), ceci afin d'éviter tout accident corporel ou endommagement du produit).
- TR ✗ Bu ürün AÇIK TIP bir modül olup toz, rutubet, elektrik şoku ve titreşimden uzak kapalı yerlerde muhafaza edilmelidir. Yanlış kullanım sonucu ürünün zarar görmesini önlemek için yetkili olmayan kişiler tarafından ürüne müdahale edilmesini önleyecek koruyucu önlemler alınmalıdır. (Ürünün bulunduğu panoya kilit konulması gibi).
- TW ✗ 本機為開放型 (OPEN TYPE) 機種，因此使用者使用本機時，必須將之安裝於具防塵、防潮及免於電擊/衝擊意外之外殼配線箱內。另必須具備保護措施 (如：特殊之工具或鑰匙才可打開) 防止非維護人員操作或意外衝擊本體，造成危險及損壞。
- CN ✗ 本機為開放型 (OPEN TYPE) 機種，因此使用者使用本機時，必須將其安裝於具防塵、防潮及免於電擊/沖擊意外的外殼配線箱內。另必須具備保護措施 (如：特殊的工具或鑰匙才可打開) 防止非維護人員操作或意外沖擊本體，造成危險及損壞。

EN Please refer to the AH500 Series Hardware and Operation Manual for more information

TR Daha fazla bilgi için lütfen AH500 Serisi Donanım ve Kullanım Klavuzuna bakınız.

TW 詳細資料請參考 AH500 系列硬體及操作手冊

CN 详细资料请参考 AH500 系列硬件及操作手册

EN Assembly

TR Montaj

TW 安裝

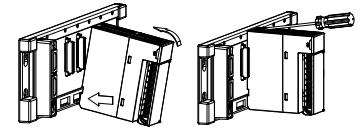
CN 组装

EN Insert the module projections into the holes on the backplane. Then, push the module in the direction indicated by the arrow until it clicks. Finally, tighten the screws on the module.

TR Modül çıkıntısını alt panel üzerindeki deliklere yerleştiriniz. Daha sonra ok işareti ile gösterilen yönde tıkklayıncaya kadar modülü itiniz. Son olarak modül üzerindeki vidaları sıkınız.

TW 將模組下方的卡勾卡在背板的卡槽，對準背板的 IO 介面將此模組向前壓，安裝後將此模組上方的螺絲鎖緊。

CN 將模块下方的卡勾卡在背板的卡槽，对准背板的 IO 接口将此模块向前压，安装后将此模块上方的螺丝锁紧。



EN Output

TR Çıkış

TW 輸出

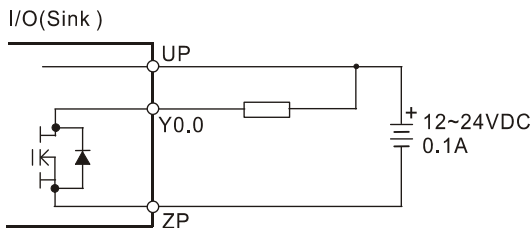
CN 输出

EN Output wiring, 12~24VDC, 0.1A, 64-point output, transistor(SINK)

TR Çıkış bağlantısı, 12~24VDC, 0.1A, 64-nokta çıkış, transistör(SINK)

TW 輸出接線，12~24VDC · 0.1A · 64 點輸出 · 電晶體 (漏型)

CN 輸出接線，12~24VDC · 0.1A · 64 點輸出 · 晶体管 (漏型)



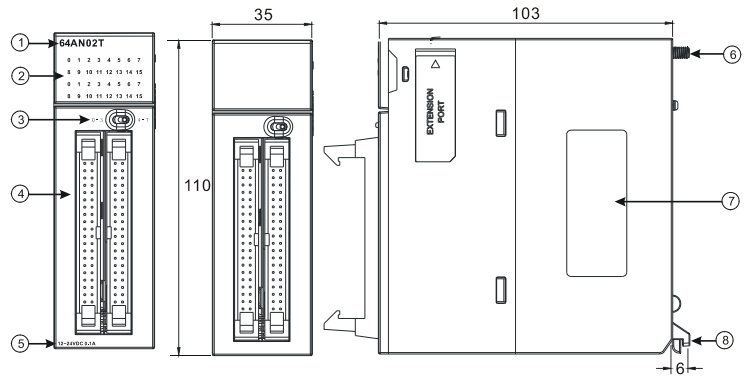
UP	UP	2.0	2.1
ZP	ZP	2.2	2.3
1.15	1.14	2.4	2.5
1.13	1.12	2.6	2.7
1.11	1.10	2.8	2.9
1.9	1.8	2.10	2.11
1.7	1.6	2.12	2.13
1.5	1.4	2.14	2.15
1.3	1.2	ZP	ZP
1.1	1.0	UP	UP
UP	UP	3.0	3.1
ZP	ZP	3.2	3.3
0.15	0.14	3.4	3.5
0.13	0.12	3.6	3.7
0.11	0.10	3.8	3.9
0.9	0.8	3.10	3.11
0.7	0.6	3.12	3.13
0.5	0.4	3.14	3.15
0.3	0.2	ZP	ZP
0.1	0.0	UP	UP

EN Dimensions(mm) & Product Profile

TR Ölçüler(mm) & Ürün Görünüşü

TW 尺寸 (mm) 及產品外觀

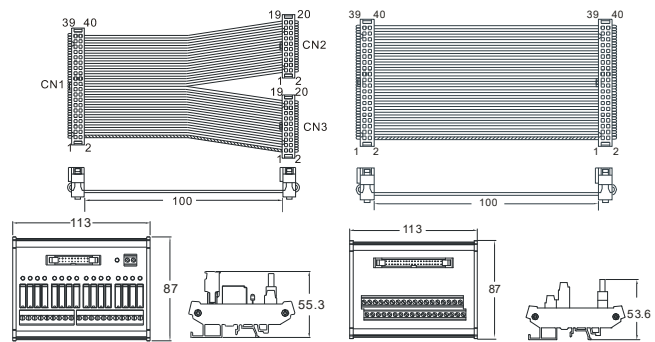
CN 尺寸 (mm) 及产品外观



EN	TR	TW	CN
1 Model name	Model adı	機種名稱	机种名称
2 I/O indicator	I/O indikatör	輸入/輸出指示燈	输入/输出指示灯
3 Indicator switch	Gösterge anahtarı	燈號顯示切換開關	灯号显示切换开关
4 Latch connector	Latch connector	牛角座連接器	牛角座连接器
5 I/O description	I/O tanımı	輸入輸出說明	输入输出说明
6 Screw	Vida	固定螺絲	固定螺丝
7 Label	Etiket	標籤	标签
8 Module clip	Modül klipsi	模組固定卡口	模块固定卡口

EN	TR	TW	CN
Wiring	Bağlantı	配線	配线

EN	I/O extension cable UC-ET010-24C/UC-ET010-24A (cm) External terminal module UB-10-OR16A (mm) External terminal module UB-10-OT32A (mm)
TR	I/O ilave kablosu UC-ET010-24C/UC-ET010-24A (cm) Harici terminal modülü UB-10-OR16A (mm) Harici terminal modülü UB-10-OT32A (mm)
TW	I/O 連接線 UC-ET010-24C/UC-ET010-24A (cm) I/O 配線模組 UB-10-OR16A (mm) I/O 配線模組 UB-10-OT32A (mm)
CN	I/O 连接线 UC-ET010-24C/UC-ET010-24A (cm) I/O 配线模块 UB-10-OR16A (mm) I/O 配线模块 UB-10-OT32A (mm)



Part Name	Hazardous Substances						台達電子工業股份有限公司 機電事業群 地址：33068 桃園市桃園區興隆路 18 號 電話：886-3-3626301 傳真：886-3-3716301	Industrial Automation Headquarters Delta Electronics, Inc. Taoyuan Technology Center No.18, Xinglong Rd., Taoyuan District, Taoyuan City, 33068, Taiwan TEL: 886-3-362-6301 / FAX: 886-3-371-6301																
	Pb	Hg	Cd	Cr VI	PBB	PBDE		Delta Greentech (China) Co., Ltd. 238 Min-Xia Road, Pudong District, Shanghai, P.R.C. 201209 TEL: 86-21-5863-5678 / FAX: 86-21-5863-0003																
金屬部件 Metal Part	X	o	o	o	o	o	中達電通股份有限公司 地址：上海市浦東新區區民路 238 號 郵編：201209 電話：(021) 5863-5678 傳真：(021) 5863-0003																	
塑料部件 Plastic Part	o	o	o	o	o	o																		
電子件 Electronic	X	o	o	o	o	o	沈阳 济南 杭州 重庆 乌鲁木齐 天津 电话:(024)2334-1160 电话:(0531)8690-6277 电话:(0571)8882-0610 电话:(023)8806-0306 电话:(0991)4678-141 电话:(022)2301-5082																	
触点 Contacts	o	o	X	o	o	o																		
线缆和线缆附件 Cable & Cabling accessories	X	o	o	o	o	o	哈尔滨 太原 合肥 昆明 兰州 南京 电话:(0451)5366-5568 电话:(0351)4039-485 电话:(0551)6281-6777 电话:(0871)6313-7362 电话:(0931)6406-725 电话:(025)8334-6585																	
電池 Battery	o	o	o	o	o	o																		
本表格依据 SJ/T 11364 的规定编制。 O：表示该有害物质在该部件所有均质材料中的含量均在 GB/T 26572 规定的限量要求以下。 X：表示该有害物质至少在该部件的某一均质材料中的含量超出 GB/T 26572 规定的限量要求。 This table is made according to SJ/T 11364. O: Indicates that the concentration of hazardous substance in all of the homogeneous materials for this part is below the limit as stipulated in GB/T 26572. X: Indicates that concentration of hazardous substance in at least one of the homogeneous materials used for this part is above the limit as stipulated in GB/T 26572.							* 本手册内容若有变更，恕不另行通知。																	
Asia China: Delta Electronics (Shanghai) Co., Ltd. No.182 Minyu Rd., Pudong Shanghai, P.R.C. Post code: 201209 TEL: +86-21-6872-3988 / FAX: +86-21-6872-3996 Customer Service: 400-820-9595 Japan: Delta Electronics (Japan), Inc. Industrial Automation Sales Department 2-1-14 Shibadaijimon, Minato-ku Tokyo, Japan 105-0012 TEL: +81-3-5733-1155 / FAX: +81-3-5733-1255 Korea: Delta Electronics (Korea), Inc. 1511, 219, Gasan Digital 1-Ro., Geumcheon-gu, Seoul, 08501 South Korea TEL: +82-2-515-5305 / FAX: +82-2-515-5302 Singapore: Delta Energy Systems (Singapore) Pte Ltd. 4 Kaki Bukit Avenue 1, #05-04, Singapore 417939 TEL: +65-6747-5155 / FAX: +65-6744-9228 India: Delta Electronics (India) Pvt. Ltd. Plot No.43, Sector 35, HSIDC Gurgaon, PIN 122001, Haryana, India TEL: +91-124-4874900 / FAX: +91-124-4874945							Thailand: Delta Electronics (Thailand) PCL. 909 Sol 9, Moo 4, Bangpoo Industrial Estate (E.P.Z), Pattana 1 Rd., T.Phraksa, A.Muang, Samutprakarn 10280, Thailand TEL: +66-2709-2800 / FAX: +66-2709-2827 Australia: Delta Electronics (Australia) Pty Ltd. Unit 20-21/45 Normanby Rd., Notting Hill Vic 3168, Australia TEL: +61-3-9543-3720 Americas USA: Delta Electronics (Americas) Ltd. 5101 Davis Drive, Research Triangle Park, NC 27709, U.S.A. TEL: +1-919-767-3813 / FAX: +1-919-767-3969 Brazil: Delta Electronics Brazil Ltd. Estrada Velha Rio-Sao Paulo, 5300 Eugenio de Melo - São José dos Campos CEP:12247-004-SP- Brazil TEL: +55-12-3932-2300 / FAX: +55-12-3932-237 Mexico: Delta Electronics International Mexico S.A. de C.V. Gustavo Baz No. 309 Edificio E PB 103 Colonia La Loma, CP 54060 Tlalneapantla, Estado de México TEL: +52-55-3603-9200						EMEA EMEA Headquarters: Delta Electronics (Netherlands) B.V. Sales: Sales.IA.EMEA@deltaww.com Marketing: Marketing.IA.EMEA@deltaww.com Technical Support: iatechnicalsupport@deltaww.com Customer Support: Customer-Support@deltaww.com Service: Service.IA.emea@deltaww.com TEL: +31(0)40 800 3900 BENELUX: Delta Electronics (Netherlands) B.V. Automotive Campus 260, 5708 JZ Helmond, The Netherlands Mail: Sales.IA.Benelux@deltaww.com TEL: +31(0)40 800 3900 DACH: Delta Electronics (Netherlands) B.V. Coesterweg 45, D-59494 Soest, Germany Mail: Sales.IA.DACH@deltaww.com TEL: +49(0)2921 987 0 France: Delta Electronics (France) S.A.S. ZI du bois Challand 2, 15 rue des Pyrénées, Lisses, 91090 Evry Cedex, France Mail: Sales.IA.FR@deltaww.com TEL: +33(0)1 69 77 82 60 UK: Delta Electronics Europe Ltd. 1 Redwood Court, East Kilbride, Glasgow, G74 5PF, United Kingdom TEL:+44-1355-588-888						Iberia: Delta Electronics Solutions (Spain) S.L.U Ctra. De Villaverde a Vallecas, 265 1º Dcha Ed. Hormigueros - P.I. de Vallecas 28031 Madrid TEL: +34(0)91 223 74 20 Carrer Llacuna 166, 08018 Barcelona, Spain Mail: Sales.IA.Iberia@deltaww.com Italy: Delta Electronics (Italy) S.r.l. Via Meda 2-22060 Novedrate(CO) Piazza Grazioli 18 00186 Roma Italy Mail: Sales.IA.Italy@deltaww.com TEL: +39 039 8900365 Russia: Delta Energy System LLC Vereyskaya Plaza II, office 112 Vereyskaya str. 17 121357 Moscow Russia Mail: Sales.IA.RU@deltaww.com TEL: +7 495 644 3240 Turkey: Delta Greentech Elektronik San. Ltd. Sti. (Turkey) Serfil Mah. Hendem Cad. Kule Sok. No:16-A 34775 Ümraniye - İstanbul Mail: Sales.IA.Turkey@deltaww.com TEL: +90 216 499 9910 MEA: Eltek Dubai (Eltek MEA DMCC) OFFICE 2504, 25th Floor, Saba Tower 1, Jumeirah Lakes Towers, Dubai, UAE Mail: Sales.IA.MEA@deltaww.com TEL: +97(0)4 2690148					

*We reserve the right to change the information in this instruction sheet without prior notice.