

# DVP06XA-E2

## Instruction Sheet

安 裝 說 明  
安 裝 說 明

Mixed Analog I/O Module

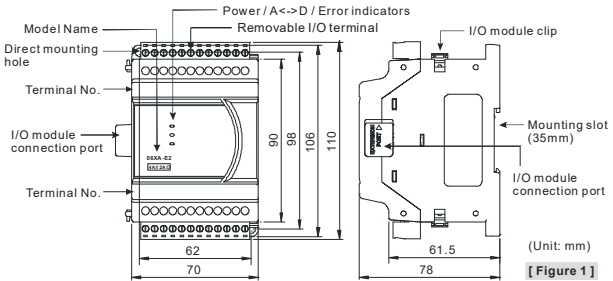
類比I/O混合模組

模拟I/O混合模块

Thank you for choosing Delta's DVP series PLC. DVP06XA-E2 mixed analog input/output module receives external 4 points of analog input signals (voltage or current) and converts them into 16-bit digital signals. For the analog signal output, DVP06XA-E2 receives 2 groups of 16-bit digital data coming from the PLC MPU and converts the digital data into 2 points of analog output signals (voltage or current). In addition, you can access the data in the module by applying FROM/TO instructions or read the average value or write the output value of channels directly by using MOV instruction (Please refer to allocation of special registers D9900 ~ D9999).

- EN ✘ DVP06XA-E2 is an OPEN-TYPE device. It should be installed in a control cabinet free of airborne dust, humidity, electric shock and vibration. To prevent non-maintenance staff from operating DVP06XA-E2, or to prevent an accident from damaging DVP06XA-E2, the control cabinet in which DVP06XA-E2 is installed should be equipped with a safeguard. For example, the control cabinet in which DVP06XA-E2 is installed can be unlocked with a special tool or key.
- EN ✘ DO NOT connect AC power to any of I/O terminals, otherwise serious damage may occur. Please check all wiring again before DVP06XA-E2 is powered up. After DVP06XA-E2 is disconnected, Do NOT touch any terminals in a minute. Make sure that the ground terminal (⊕) on DVP06XA-E2 is correctly grounded in order to prevent electromagnetic interference.
- FR ✘ DVP06XA-E2 est un module OUVERT. Il doit être installé que dans une enceinte protectrice (boîtier, armoire, etc.) saine, dépourvue de poussière, d'humidité, de vibrations et hors d'atteinte des chocs électriques. La protection doit éviter que les personnes non habilitées à la maintenance puissent accéder à l'appareil (par exemple, une clé ou un outil doivent être nécessaire pour ouvrir a protection).
- FR ✘ Ne pas appliquer la tension secteur sur les bornes d'entrées/Sorties, ou l'appareil DVP06XA-E2 pourra être endommagé. Merci de vérifier encore une fois le câblage avant la mise sous tension du DVP06XA-E2. Lors de la déconnection de l'appareil, ne pas toucher les connecteurs dans la minute suivante. Vérifier que la terre est bien reliée au connecteur de terre (⊕) afin d'éviter toute interférence électromagnétique.

## ■ Product Profile & Dimension

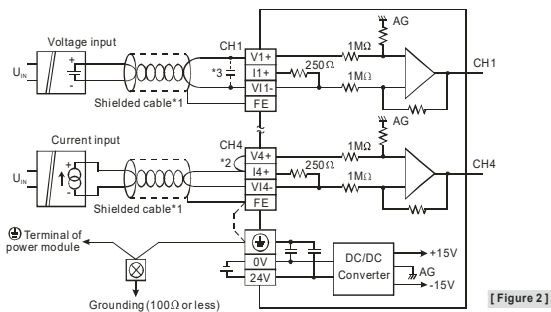


[ Figure 1 ]

## ■ External Wiring

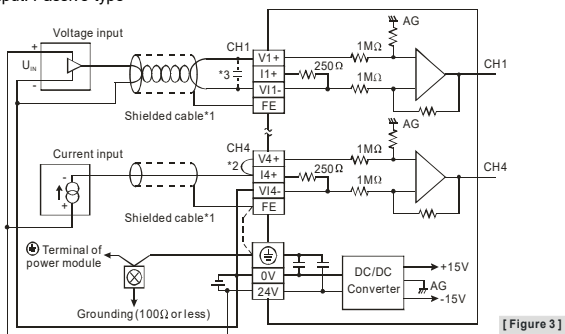
- \*1: When performing analog input, please isolate other power wirings.
- \*2: When the XA module is connected to current signals, make sure you short-circuit "V+" and "I+" terminals.
- \*3: If the ripples at the loaded input terminal are too significant that causes noise interference on the wiring, connect the wiring to 0.1 ~ 0.47μF 25V capacitor.
- \*4: When performing analog output, please isolate other power wirings.
- \*5: If the ripples at the loaded output terminal are too significant that causes noise interference on the wiring, connect the wiring to 0.1 ~ 0.47μF 25V capacitor.
- \*6: Please connect the (⊕) terminal on both the power module and XA module to the system earth point and ground the system contact or connect it to the cover of power distribution cabinet.

- Input: Active-type



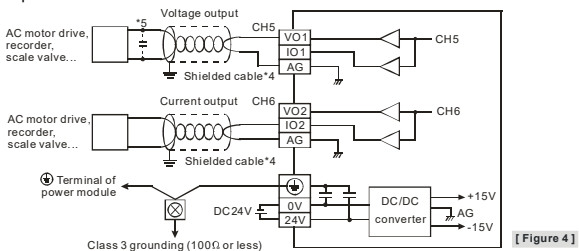
[ Figure 2 ]

• Input: Passive-type



[ Figure 3 ]

• Output



[ Figure 4 ]

■ I/O Terminal Layout

1	2	3	4	5	6	7	8	9	10	11	12
V1+	I1+	V1-	V2+	I2+	V12-	V3+	I3+	V13-	V4+	I4+	V14-
<b>DVP06XA-E2 (4AI/2AO)</b>											
24V	0V	⊕	FE	FE	FE	VO1	IO1	AG	VO2	IO2	AG
1	2	3	4	5	6	7	8	9	10	11	12

■ Electrical Specifications

DVP06XA-E2	
Power supply voltage	24VDC (20.4VDC ~ 28.8VDC) (-15% ~ +20%)

DVP06XA-E2	
Max. rated power consumption	2.5W, supplied by external power source
Connector	European standard removable terminal block (Pin pitch: 5mm)
Operation/storage	Operation: 0°C~55°C (temp.), 5~95% (humidity), Pollution degree2 Storage: -25°C~70°C (temp.), 5~95% (humidity)
Vibration/shock immunity	International standards: IEC61131-2, IEC 68-2-6 (TEST Fc)/ IEC61131-2 & IEC 68-2-27 (TEST Ea)
Series connection to DVP-PLC MPU	The modules are numbered from 0 to 7 automatically by their distance from MPU. Max. 8 modules are allowed to connect to MPU and will not occupy any digital I/O points.

## ■ Functions Specifications

Common specifications					
Digital data format	2's complement of 16 bits				
Response time	400 $\mu$ s / each channel				
Overall accuracy	$\pm 0.5\%$ when in full scale within the range of (25°C, 77°F); $\pm 1\%$ when in full scale within the range of (0 ~ 55°C, 32 ~ 131°F)				
Isolation	Optical coupler isolation between digital circuits and analog circuits. No isolation among analog channels. 500VDC between digital circuits and Ground. 500VDC between analog circuits and Ground. 500VDC between analog circuits and digital circuits. 500VDC between 24VDC and Ground				
Analog / Digital					
	Voltage input			Current input	
Analog input channel	4 channels / each module				
Range of analog input	$\pm 10V$	$\pm 5V$	$\pm 20m$	0 ~ 20mA	4 ~ 20mA
Range of digital conversion	$\pm 32,000$	$\pm 32,000$	$\pm 32,000$	0 ~ 32,000	0 ~ 32,000
Max./Min. output range of digital data	$\pm 32,384$	$\pm 32,384$	$\pm 32,384$	-384 ~ +32,384	-384 ~ +32,384
Hardware Resolution	14 bits	14 bits	14 bits	13 bits	13 bits
Input impedance	$\geq 1M\Omega$		250 $\Omega$		
Range of absolute input	$\pm 15V$		$\pm 32mA$		
Average Function	Supported. Available for setting up sampling range in CR#8 ~ CR#11. Range: K1 ~ K100.				
Self-diagnosis	Upper and lower bound detection in all channels				
Digital / Analog					
	Voltage output			Current output	
Analog output channel	2 channels / each module				
Range of analog output	-10V ~ 10V		0 ~ 20mA	4mA ~ 20mA	
Range of digital conversion	-32,000 ~ +32,000		0 ~ +32,000	0 ~ +32,000	
Max./Min. input range of digital data	-32,768 ~ +32,767		0 ~ +32,767	-6,400 ~ +32,767	
Hardware Resolution	14 bits		14 bits	14 bits	
Max. output current	10mA		-		
Tolerance load impedance	$\geq 1K\Omega$		$\leq 500\Omega$		
Output impedance	$\leq 0.5\Omega$		$\geq 1M\Omega$		

Protection	Voltage output is protected by short circuit. Short circuit lasting for too long may cause damage on internal circuits. Current output can be open circuit.
------------	---

## ■ Control Register

CR#	Attrib.		Register name	Explanation
#0	O	R	Model name	Set up by the system: DVP06XA-E2 model code = H'00C4
#1	O	R	Firmware version	Display the current firmware version in hex.
#2	O	R/W	CH1 Input mode setting	Input mode: Default = H'0000. Take CH1 for example:
#3	O	R/W	CH2 Input mode setting	Mode 0 (H'0000):Voltage input ( $\pm 10V$ ) Mode 1 (H'0001):Voltage input ( $\pm 5V$ ) Mode 2 (H'0002):Voltage input (0 ~+10V) Mode 3 (H'0003):Voltage input (0 ~+5V) Mode 4 (H'0004):Current input ( $\pm 20mA$ ) Mode 5 (H'0005):Current input (0 ~+20mA) Mode 6 (H'0006):Current input (4 ~+20mA) Mode -1 (H'FFFF):Channel 1 unavailable
#4	O	R/W	CH3 Input mode setting	
#5	O	R/W	CH4 Input mode setting	
#6	O	R/W	CH5 output mode setting	Output mode: Default = H'0000. Take CH5 for example:
#7	O	R/W	CH6 output mode setting	Mode 0 (H'0000):Voltage output ( $\pm 10V$ ) Mode 1 (H'0001):Current output (0~+20mA) Mode 2 (H'0002):Current output (4~+20mA) Mode -1 (H'FFFF):Channel 5 unavailable
#8	O	R/W	CH1 sampling range	
#9	O	R/W	CH2 sampling range	
#10	O	R/W	CH3 sampling range	Set sampling range in CH1 ~ CH4: Range = K1 ~ K100 Default = K10
#11	O	R/W	CH4 sampling range	
#12	X	R	CH1 average input value	
#13	X	R	CH2 average input value	
#14	X	R	CH3 average input value	Average value of input signals at CH1 ~ CH4
#15	X	R	CH4 average input value	
#16	X	R/W	CH5 output signal value	Voltage output range: K-32,000~K32,000. Current output range: K0~K32,000. Default: K0.
#17	X	R/W	CH6 output signal value	
#20	X	R	CH1 present input value	
#21	X	R	CH2 present input value	
#22	X	R	CH3 present input value	Present value of input signals at CH1 ~ CH4
#23	X	R	CH4 present input value	
#28	O	R/W	Adjusted Offset value of CH1	
#29	O	R/W	Adjusted Offset value of CH2	Set the adjusted Offset value of CH1 ~ CH6 Default = K0.
#30	O	R/W	Adjusted Offset value of CH3	
#31	O	R/W	Adjusted Offset value of CH4	Definition of Offset in DVP06XA -E2: The corresponding voltage (current) input value when the digital output value = 0
#32	O	R/W	Adjusted Offset value of CH5	
#33	O	R/W	Adjusted Offset value of CH6	
#34	O	R/W	Adjusted Gain value of CH1	
#35	O	R/W	Adjusted Gain value of CH2	Set the adjusted Gain value in CH1 ~ CH6 Default = K16,000. Definition of Gain in DVP06XA-E2: The corresponding voltage (current) input value when the digital output value = 16,000.
#36	O	R/W	Adjusted Gain value of CH3	
#37	O	R/W	Adjusted Gain value of CH4	
#38	O	R/W	Adjusted Gain value of CH5	
#39	O	R/W	Adjusted Gain value of CH6	

Adjusted Offset Value, Adjusted Gain Value:

CR#	Attrib.	Register name	Explanation
Note 1: When using Mode 6 for input or Mode 2 for output, the channel do NOT provide setups for adjusted Offset or Gain value.			
Note 2: When input mode changes, the adjusted Offset or Gain value returns to defaults.			
#40	O	R/W	Set value changing prohibited
			Prohibit set value changing in CH1 ~ CH4 Default= H'0000.
#41	X	R/W	Save all the set values
			Save all the set values, Default =H'0000
#43	X	R	Error status
			Register for storing all error status. Refer to table of error status for more information.
#100	O	R/W	Enable/Disable limit detection
			Upper and lower bound detection, b0~b5 corresponds to CH1~CH6 (0: Disable/ 1: Enable). Default= H'0000.
#101	X	R/W	Upper and lower bound status
			Display the upper and lower bound status. (0: Not exceed /1: Exceeds upper or lower bound value), b0~b5 corresponds to Ch1~Ch6 for lower bound detection result; b8~b13 corresponds to CH1~CH6 for upper bound detection result..
#102	O	R/W	Set value of CH1 upper bound
#103	O	R/W	Set value of CH2 upper bound
#104	O	R/W	Set value of CH3 upper bound
#105	O	R/W	Set value of CH4 upper bound
#106	O	R/W	Set value of CH5 upper bound
#107	O	R/W	Set value of CH6 upper bound
			Set value of CH1~CH6 upper bound. Default = K32000.
#108	O	R/W	Set value of CH1 lower bound
#109	O	R/W	Set value of CH2 lower bound
#110	O	R/W	Set value of CH3 lower bound
#111	O	R/W	Set value of CH4 lower bound
#112	O	R/W	Set value of CH5 lower bound
#113	O	R/W	Set value of CH6 lower bound
			Set value of CH1~CH6 lower bound. Default = K-32000.
#114	O	R/W	Output update time of CH5
#115	O	R/W	Output update time of CH6
			Set output update time of CH5 ~ CH6
#118	O	R/W	LV output mode setting of Ch5 ~ Ch6
			Set the output mode of CH5~CH6 when the power is at LV (low voltage) condition. Default=0
Symbols: O: When CR#41 is set to H'5678, the set value of CR will be saved. X: set value will not be saved. R: able to read data by using FROM instruction. W: able to write data by using TO instruction.			

※ CR#43 List of Error Status Codes:

Description					
bit0	K1 (H'1)	Abnormal power supply	bit6	K64 (H'40)	CH4 abnormal value of conversion
bit1	K2 (H'2)	Reserved	bit9	K512(H'0200)	Mode setting error
bit2	K4 (H'4)	Value of conversion exceeds the upper and lower values	bit10	K1024(H'0400)	Average setting error
bit3	K8 (H'8)	CH1 abnormal value of conversion	bit11	K2048(H'0800)	Upper & lower bound setting error
bit4	K16 (H'10)	CH2 abnormal value of conversion	bit12	K4096(H'1000)	Prohibit setting value modification
bit5	K32 (H'20)	CH3 abnormal value of conversion	bit13	K8192(H'2000)	Lower level module disconnected
Note: Each error status corresponds to a bit (b0~b13). Sometimes two or more error status occur at the same time, 0 stands for normal / no error, while 1 means error status.					

※ Module Reset (Available for firmware V1.14 or above): When modules need reset, write H'4352 in CR#0 then disconnect and turn on the power again. The resetting initializes parameter setups to provide normal functions for other modules. Connect to only one module during reset, wait 1 second before disconnecting the power.

## ■ Explanation on Special Registers D9900~D9999

When DVP-ES2 MPU is connected with modules, registers D9900~D9999 will be reserved for storing values from modules. You can apply MOV instruction to operate values in D9900~D9999.

When DVP-ES2 MPU is connected with DVP06XA-E2, the configuration of special registers is as below:

Module #0	Module #1	Module #2	Module #3	Module #4	Module #5	Module #6	Module #7	Description
D1320	D1321	D1322	D1323	D1324	D1325	D1326	D1327	Model Code
D9900	D9910	D9920	D9930	D9940	D9950	D9960	D9970	CH1 average input value
D9901	D9911	D9921	D9931	D9941	D9951	D9961	D9971	CH2 average input value
D9902	D9912	D9922	D9932	D9942	D9952	D9962	D9972	CH3 average input value
D9903	D9913	D9923	D9933	D9943	D9953	D9963	D9973	CH4 average input value
D9904	D9914	D9924	D9934	D9944	D9954	D9964	D9974	CH5 output value
D9905	D9915	D9925	D9935	D9945	D9955	D9965	D9975	CH6 output value

Note 1: D9900 ~ D9999 are average input values of CH1 ~ CH4 and the sampling range is K1 ~ K100.

When the sampling range is set to K1, the values displayed in D9900 ~ D9999 are current values.

You can use: 1. ES\_AIO Configuration Function of WPLSoft or 2. FROM/TO instructions (CR#8~CR#11) to set the sampling range as K1.

## ■ Adjust A/D Conversion Curve

Users can adjust the conversion curves according to the actual needs by changing the Offset value (CR#28 ~ CR#31) and Gain value (CR#34 ~ CR#37).

$$Y = 16000 \times \left( \frac{X(V)}{10(V)} \times 32000 - \text{Offset} \right) / (\text{Gain} - \text{Offset}) \quad Y = \text{Digital output, } X = \text{Voltage input}$$

$$Y = 16000 \times \left( \frac{X(V)}{5(V)} \times 32000 - \text{Offset} \right) / (\text{Gain} - \text{Offset}) \quad Y = \text{Digital output, } X = \text{Voltage input}$$

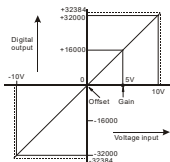
$$Y = 16000 \times \left( \frac{X(mA)}{20(mA)} \times 32000 - \text{Offset} \right) / (\text{Gain} - \text{Offset}) \quad Y = \text{Digital output, } X = \text{Current input}$$

- Equation for current input Mode6:  $0.5\mu\text{A} = 16\text{mA}/32,000$

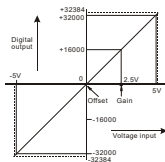
Adopt the equation of current input mode4/mode5, substitute Gain for 19,200 (12mA) and Offset for 6,400 (4mA)

$$Y = 16000 \times \left( \frac{X(mA)}{20(mA)} \times 32000 - 6400 \right) / (19200 - 6400) \quad Y = \text{Digital output, } X = \text{Current input}$$

- Mode 0:

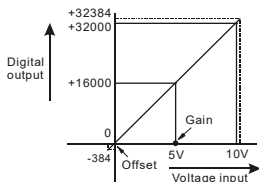


- Mode 1:

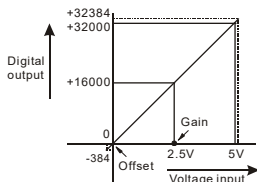


Mode 0 of CR#2 ~ CR#5	$\pm 10\text{V} \cdot \text{Gain} = 5\text{V} (16,000) \cdot \text{Offset} = 0\text{V} (0)$
Mode 1 of CR#2 ~ CR#5	$\pm 5\text{V} \cdot \text{Gain} = 2.5\text{V} (16,000) \cdot \text{Offset} = 0\text{V} (0)$
Range of digital conversion (Max./Min.)	$\pm 32,000 (\pm 32,384)$

• Mode 2:

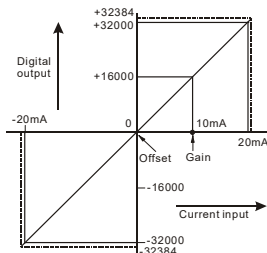


• Mode 3:



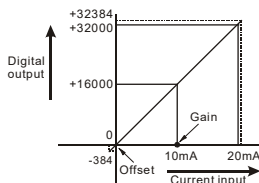
Mode 2 of CR#2 ~ CR#5	0 ~ +10V, Gain = 5V (16,000), Offset = 0V (0)
Mode 3 of CR#2 ~ CR#5	0 ~ +5V, Gain = 2.5V (16,000), Offset = 0V (0)
Range of digital conversion (Max./Min.)	0 ~ +32,000 (-384 ~ +32,384)

• Mode 4:

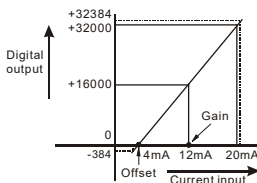


Mode 4 of CR#2 ~ CR#5	±20mA, Gain = 10mA (16,000), Offset = 0mA (0)
Range of digital conversion (Max./Min.)	±32,000 (±32,384)

• Mode 5:



• Mode 6:



Mode 5 of CR#2 ~ CR#5	0 ~ +20mA, Gain = 10mA (16,000), Offset = 0mA (0)
Mode 6 of CR#2 ~ CR#5	+4 ~ +20mA, Gain = 12mA (19,200), Offset = 4mA (6,400)
Range of digital conversion (Max./Min.)	0 ~ +32,000 (-384 ~ +32,384)

## ■ Adjust D/A Conversion Curve

Users can adjust the conversion curves according to the actual needs by changing the Offset value (CR#32 ~ CR#33) and Gain value (CR#38 ~ CR#39).

• Equation for voltage output Mode0:  $0.3125\text{mV} = 20\text{V}/64,000$

$$Y(V) = \left[ \frac{X \times (\text{Gain} - \text{Offset})}{16000} + \text{Offset} \right] \times \left( \frac{10(V)}{32000} \right)$$

Y=Voltage output, X=Digital input



- Equation for current output Mode1:  $0.625\mu\text{A} = 20\text{mA}/32,000$

$$Y(\text{mA}) = \left[ \frac{X \times (\text{Gain} - \text{Offset})}{16000} + \text{Offset} \right] \times \left( \frac{20(\text{mA})}{32000} \right)$$

Y=Current output, X=Digital input

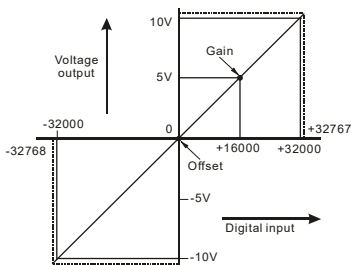
- Equation for current output Mode2:  $0.5\mu\text{A} = 16\text{mA}/32,000$

Adopt the equation of current output Mode 1, substitute Gain for 19,200(12mA) and Offset for 6,400(4mA)

$$Y(\text{mA}) = \left[ \frac{X \times (19200 - 6400)}{16000} + 6400 \right] \times \left( \frac{20(\text{mA})}{32000} \right)$$

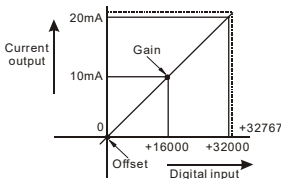
Y=Current output, X=Digital input

- mode 0:



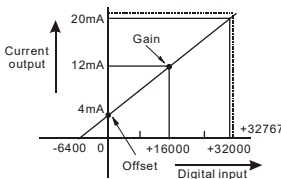
Mode 0 (CR#2 ~ CR#5)	$\pm 10\text{V}$ , Gain = 5V (16,000), Offset = 0V (0)
Range of digital conversion (Max./Min.)	$\pm 32,000$ (-32,768 ~ +32,767)

- mode 1:



Mode 1 (CR#2 ~ CR#5)	0 ~ +20mA · Gain = 10mA (16,000), Offset = 0mA (0)
Range of digital conversion (Max./Min.)	0 ~ +32,000 (0 ~ +32,767)

- mode 2:

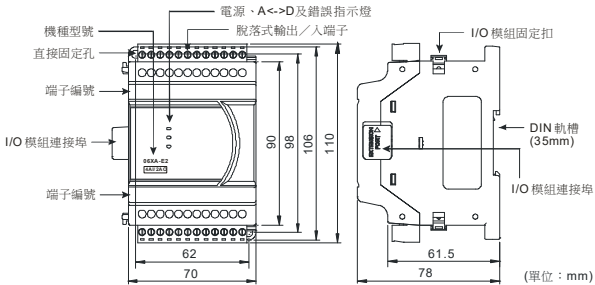


Mode 2 (CR#2 ~ CR#5)	4 ~ +20mA · Gain = 12mA (19,200), Offset = 4mA (6,400)
Range of digital conversion (Max./Min.)	0 ~ +32,000 (-6400 ~ +32,767)

感謝您採用台達 DVP 系列產品。DVP06XA-E2 類比輸入/輸出混合模組可接受外部 4 點類比信號輸入（電壓或電流皆可），將之轉換成 16 位元之數位信號。類比信號輸出部份接受來自 PLC 主機的 2 組 16 位元數位資料，再將數位資料轉換為 2 點類比信號輸出（電壓或電流皆可）。使用者可經由配線選擇電壓輸入或電流輸入，並可透過主機以 FROM / TO 指令來讀寫模組內資料，或以 MOV 指令直接讀取對應通道的平均值，或直接寫入對應通道的輸出值（請參閱 D9900 ~ D9999 特殊暫存器使用說明）。

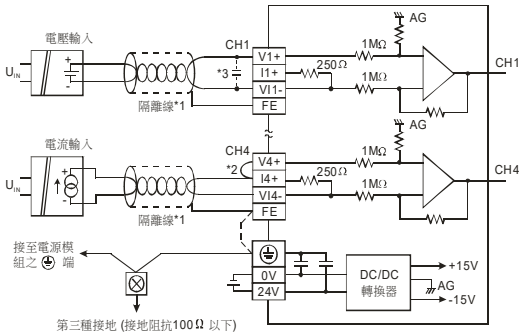
- ✦ 本安裝說明書提供給使用者電氣規格、功能規格、安裝配線之相關注意事項。其他詳細之程式設計及指令說明請見 DVP-ES2 操作手冊【程式篇】，選購之周邊裝置詳細說明請見該產品隨機安裝說明書。
- ✦ 本機為開放型（OPEN TYPE）機殼，因此使用者使用本機時，必須將之安裝於具防塵、防潮及免於電擊衝擊意外之外殼配線箱內。另必須具備保護措施（如：特殊之工具或鑰匙才可打開）防止非維護人員操作或意外衝擊本體，造成危險及損壞。
- ✦ 交流輸入電源不可連接於輸入/輸出信號端，否則可能造成嚴重損壞，請在上電之前再次確認電源配線。請勿在上電時觸摸任何端子。本體上之接地端子  $\oplus$  務必正確的接地，可提高產品抗雜訊能力。

## ■ 產品外觀尺寸與部位介紹

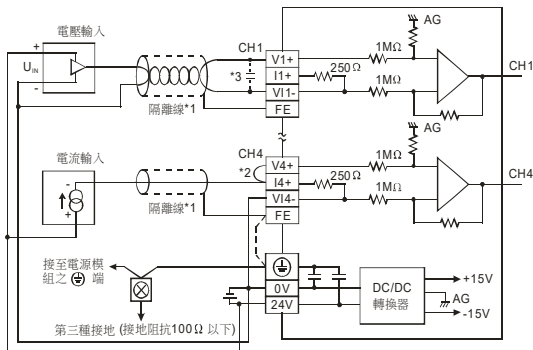


## ■ 外部配線

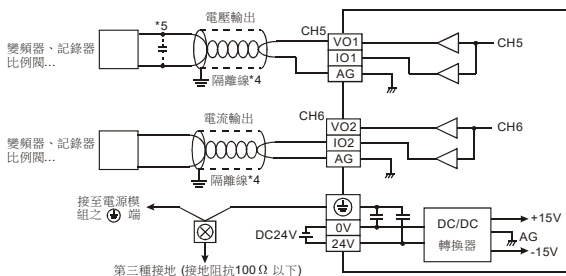
- 主動式輸入



● 被動式輸入



● 輸出



註 1：類比輸入請與其他電源線隔離。

註 2：如果連接電流信號時，V+ 及 I+ 端子請務必短路。

註 3：如果輸入電壓有漣波造成配線受雜訊干擾時請連接 0.1~0.47  $\mu\text{F}$  25V 之電容。

註 4：類比輸出請與其他電源線隔離。

註 5：如果負載之輸出端漣波太大造成配線受雜訊干擾時，請連接 0.1~0.47  $\mu\text{F}$  25V 之電容。

註 6：請將電源模組之  $\ominus$  端及 DVP06XA 類比信號輸出模組之  $\ominus$  端連接到系統接地點，再將系統接點作第三種接地或接到配電箱之機殼上。

## ■ 輸入/輸出端子台配置

請參閱英文版頁碼 2 之端子配置圖，在此語言版本省略說明。

## ■ 電氣規格

DVP06XA-E2	
電源電壓	24VDC (20.4VDC ~ 28.8VDC) (-15% ~ +20%)
額定最大消耗功率	2.5W，由外部電源供應。
連接方式	脫落式歐式端子座 (端點距離：5mm)
操作/儲存環境	操作：0°C ~ 55°C (溫度)，5 ~ 95% (濕度) 污染等級 2 儲存：-25°C ~ 70°C (溫度)，5 ~ 95% (濕度)
耐振動 / 衝擊	國際標準規範 IEC61131-2, IEC 68-2-6 (TEST Fc) / IEC61131-2 & IEC 68-2-27 (TEST Ea)

DVP06XA-E2	
與 DVP-PLC 主機串接說明	模組編號以靠近主機之順序自動編號由 0 到 7，最大可連接 8 台且不佔用數位 I/O 點數。

## ■ 功能規格

共同規格					
數位資料格式	16 位元二補數				
響應時間	400 $\mu$ s / 每個通道				
總和精密度	$\pm 0.5\%$ 在 (25°C, 77°F) 範圍內滿刻度時 $\pm 1\%$ 在 (0 ~ 55°C, 32 ~ 131°F) 範圍內滿刻度時				
隔離方式	類比電路與數位電路之間，透過光耦隔離，類比通道間未隔離 數位電路與接地之間：500VDC；類比電路與接地之間：500VDC 類比電路與數位電路之間：500VDC；24VDC 與接地之間：500VDC				
混和模組- A/D					
	電壓輸入			電流輸入	
類比訊號輸入通道	4 通道 / 台				
類比輸入範圍	$\pm 10$ V	$\pm 5$ V	$\pm 20$ mA	0 ~ 20mA	4 ~ 20mA
數位資料範圍	$\pm 32,000$	$\pm 32,000$	$\pm 32,000$	0 ~ 32,000	0 ~ 32,000
數位資料範圍極限值	$\pm 32,384$	$\pm 32,384$	$\pm 32,384$	-384 ~ +32,384	-384 ~ +32,384
硬體解析度	14 bits	14 bits	14 bits	13 bits	13 bits
輸入阻抗	$\geq 1$ M $\Omega$		250 $\Omega$		
絕對輸入範圍	$\pm 15$ V		$\pm 32$ mA		
平均功能	有，CR#8 ~ CR#11 可設定，設定範圍：K1 ~ K100				
自我診斷功能	上下極限偵測 / 通道				
混和模組- D/A					
	電壓輸出			電流輸出	
類比訊號輸出通道	2 通道 / 台				
類比輸出範圍	-10V ~ 10V		0 ~ 20mA	4mA ~ 20mA	
數位資料範圍	-32,000 ~ +32,000		0 ~ +32,000	0 ~ +32,000	
數位資料範圍極限值	-32,768 ~ +32,767		0 ~ +32,767	-6,400 ~ +32,767	
硬體解析度	14 bits		14 bits	14 bits	
最大輸出電流	10mA		-		
容許負載阻抗	$\geq 1$ K $\Omega$		$\leq 500$ $\Omega$		
輸出阻抗	$\leq 0.5$ $\Omega$		$\geq 1$ M $\Omega$		
保護	電壓輸出有短路保護但須注意長時間短路仍有可能造成內部線路損壞，電流輸出可開路。				

## ■ 控制暫存器 CR

CR#	屬性		暫存器名稱	說明
#0	O	R	機種型號	系統內定，DVP06XA-E2 機種代碼 = H'00C4
#1	O	R	韌體版本	16 進制，顯示目前韌體版本
#2	O	R/W	CH1 輸入模式設定	輸入模式設定：出廠設定值 H'0000。以 CH1 說明 模式 0 (H'0000)：電壓輸入 ( $\pm 10$ V) 模式 1 (H'0001)：電壓輸入 ( $\pm 5$ V) 模式 2 (H'0002)：電壓輸入 (0 ~ +10V) 模式 3 (H'0003)：電壓輸入 (0 ~ +5V) 模式 4 (H'0004)：電流輸入 ( $\pm 20$ mA)
#3	O	R/W	CH2 輸入模式設定	
#4	O	R/W	CH3 輸入模式設定	

CR#	屬性		暫存器名稱	說明
#5	O	R/W	CH4 輸入模式設定	模式 5 (H'0005)：電流輸入 (0 ~ +20mA) 模式 6 (H'0006)：電流輸入 (4 ~ +20mA) 模式 -1 (H'FFFF)：關閉 CH1 不使用
#6	O	R/W	CH5 輸出模式設定	輸出模式設定：出廠設定值 H'0000。以 CH5 來說明 模式 0 (H'0000)：電壓輸出(±10V) 模式 1 (H'0001)：電流輸出 (0 ~ +20mA) 模式 2 (H'0002)：電流輸出 (4 ~ +20mA) 模式 -1 (H'FFFF)：關閉 CH5 不使用
#7	O	R/W	CH6 輸出模式設定	模式 1 (H'0001)：電流輸出 (0 ~ +20mA) 模式 2 (H'0002)：電流輸出 (4 ~ +20mA) 模式 -1 (H'FFFF)：關閉 CH5 不使用
#8	O	R/W	CH1 平均次數	通道 CH1 ~ CH4 訊號的平均次數設定： 設定範圍 K1 ~ K100 出廠設定值 K10
#9	O	R/W	CH2 平均次數	
#10	O	R/W	CH3 平均次數	
#11	O	R/W	CH4 平均次數	
#12	X	R	CH1 輸入信號平均值	通道 CH1 ~ CH4 輸入信號平均值顯示
#13	X	R	CH2 輸入信號平均值	
#14	X	R	CH3 輸入信號平均值	
#15	X	R	CH4 輸入信號平均值	
#16	X	R/W	CH5 輸出數值	電壓輸出可設定範圍 K-32,000 ~ K32,000。電流輸出可設定範圍 K0 ~ K32,000。出廠設定值為 K0。
#17	X	R/W	CH6 輸出數值	
#20	X	R	CH1 輸入信號現在值	通道 CH1 ~ CH4 輸入信號現在值顯示
#21	X	R	CH2 輸入信號現在值	
#22	X	R	CH3 輸入信號現在值	
#23	X	R	CH4 輸入信號現在值	
#28	O	R/W	CH1 微調 Offset 值	通道 CH1 ~ CH6 訊號的 Offset 設定，出廠設定值 K0 Offset 定義：當數位輸入值為 0 時的電壓(電流)輸出值
#29	O	R/W	CH2 微調 Offset 值	
#30	O	R/W	CH3 微調 Offset 值	
#31	O	R/W	CH4 微調 Offset 值	
#32	O	R/W	CH5 微調 Offset 值	
#33	O	R/W	CH6 微調 Offset 值	
#34	O	R/W	CH1 微調 Gain 值	通道 CH1 ~ CH6 訊號的 Gain 設定，出廠設定值 K16,000。Gain 定義： 當數位輸入值為 16,000 時的電壓(電流)輸出值
#35	O	R/W	CH2 微調 Gain 值	
#36	O	R/W	CH3 微調 Gain 值	
#37	O	R/W	CH4 微調 Gain 值	
#38	O	R/W	CH5 微調 Gain 值	
#39	O	R/W	CH6 微調 Gain 值	
微調 Offset 值、微調 Gain 值：				
✎註 1：當輸入模式設定為模式 6 或是輸出模式設定為模式 2 時，該通道不開放使用者設定微調 Offset 值、微調 Gain 值。				
✎註 2：當輸入模式變更時，微調 Offset 值、微調 Gain 值將會自動回復為該模式預設值。				
#40	O	R/W	禁止設定值變更	CH1 ~ CH6 禁止設定值變更，出廠設定值 H'0000
#41	X	R/W	儲存所有設定值	儲存保持參數的設定值，出廠設定值 H'0000
#43	X	R	錯誤狀態	儲存所有錯誤狀態的資料暫存器，詳細內容請參照錯誤信息表
#100	O	R/W	上下限偵測致能/禁能	上下限偵測功能，b0~b5 對應 CH1~CH6 (0：Disable / 1：Enable)，出廠設定值 H'0000
#101	X	R/W	上下限值狀態	上下限值狀態顯示(0：無超出上/下限值，1：超出上/下限值)，b0~b5 對應 CH1~CH6 之下限偵測結果；b8~b13 對應 CH1~CH6 之上限偵測結果。
#102	O	R/W	CH1 上限設定值	CH1 上限值設定，出廠設定值 K32000

CR#	屬性	暫存器名稱	說明
#103	O R/W	CH2 上限設定值	CH2 ~ CH6 上限值設定，出廠設定值 K32000
#104	O R/W	CH3 上限設定值	
#105	O R/W	CH4 上限設定值	
#106	O R/W	CH5 上限設定值	
#107	O R/W	CH6 上限設定值	
#108	O R/W	CH1 下限設定值	CH1 ~ CH6 下限值設定，出廠設定值 K-32000
#109	O R/W	CH2 下限設定值	
#110	O R/W	CH3 下限設定值	
#111	O R/W	CH4 下限設定值	
#112	O R/W	CH5 下限設定值	
#113	O R/W	CH6 下限設定值	CH5 ~ CH6 輸出更新時間設定，出廠設定值 H'0000
#114	O R/W	CH5 輸出更新時間	
#115	O R/W	CH6 輸出更新時間	
#118	O R/W	LV 輸出狀態設定	低電壓 LV 發生時，輸出狀態設定，出廠設定值 H'0000
符號定義：O 表示為保持型，當 CR#41 設定為 H'5678 時會將資料保存； X 表示為非保持型； R 表示為可使用 FROM 指令讀取資料； W 表示為可使用 TO 指令寫入資料。			

※ CR#43 錯誤狀態表：

說明					
bit0	K1 (H'1)	電源異常	bit6	K64 (H'40)	CH4 轉換值異常
bit1	K2 (H'2)	系統保留	bit9	K512(H'0200)	模式設定錯誤
bit2	K4 (H'4)	轉換值超出所設定的上下限值	bit10	K1024(H'0400)	平均次數設定錯誤
bit3	K8 (H'8)	CH1 轉換值異常	bit11	K2048(H'0800)	上下限值設定錯誤
bit4	K16 (H'10)	CH2 轉換值異常	bit12	K4096(H'1000)	設定值禁止變更
bit5	K32 (H'20)	CH3 轉換值異常	bit13	K8192(H'2000)	下級模組斷線
註：每個錯誤狀態由相對應之位元 b0 ~ b13 決定，有可能會同時產生兩個以上之錯誤狀態，0 代表正常無錯誤，1 代表有錯誤狀態產生。					

※ 模組重置(韌體版本 V1.14 以上才可使用)：若需要將此模組所有設定重置，可將重置指令 H'4352 寫入 CR#0，並斷電重啟。此重置動作將會重新初始化模組所有參數設定，為避免初始化過程影響其他模組的正常運作，建議每次只連接一台模組重置，並且於下達重置命令後等待 1 秒再斷電。

## ■ 特殊暫存器 D9900 ~ D9999 使用說明

DVP-ES2 主機連接特殊 I/O 模組時，暫存器 D9900 ~ D9999 將被佔用，使用者可利用 MOV 指令在程式中指定 D9900 ~ D9999 來運算。

DVP-ES2 主機連接 DVP06XA-E2 時，特殊暫存器的分配如下：

第 1 台	第 2 台	第 3 台	第 4 台	第 5 台	第 6 台	第 7 台	第 8 台	說明
D1320	D1321	D1322	D1323	D1324	D1325	D1326	D1327	連線特殊 I/O 模組機種代碼
D9900	D9910	D9920	D9930	D9940	D9950	D9960	D9970	CH1 輸入信號平均值
D9901	D9911	D9921	D9931	D9941	D9951	D9961	D9971	CH2 輸入信號平均值
D9902	D9912	D9922	D9932	D9942	D9952	D9962	D9972	CH3 輸入信號平均值
D9903	D9913	D9923	D9933	D9943	D9953	D9963	D9973	CH4 輸入信號平均值
D9904	D9914	D9924	D9934	D9944	D9954	D9964	D9974	CH5 輸出數值
D9905	D9915	D9925	D9935	D9945	D9955	D9965	D9975	CH6 輸出數值

※ 輸入信號平均值暫存器為讀出專用，請勿在程序中修改。若要利用 D9900 ~ D9999 讀取通道輸入現在值，可利用 WPLSoft 或 FROM/TO 指令將平均次數 (CR#8 ~ CR#11) 設定為 1。

## ■ 調整 A/D 轉換特性曲線

使用者可依實際應用需要來調整轉換特性曲線，調整時以改變 Offset 值(CR#28 ~ CR#31) 及 Gain 值(CR#34 ~ CR#37)來進行。

詳細公式及曲線圖請參閱英文版頁碼 5 ~ 7 之定義，在此語言版本省略說明。

- 電壓輸入模式 0 / 模式 2 公式： $0.3125\text{mV} = 20\text{V}/64,000 = 10\text{V}/32,000$
- 電壓輸入模式 1 / 模式 3 公式： $0.15625\text{mV} = 10\text{V}/64,000 = 5\text{V}/32,000$
- 電流輸入模式 4 / 模式 5 公式： $0.625\mu\text{A} = 40\text{mA}/64,000 = 20\text{mA}/32,000$
- 電流輸入模式 6 公式： $0.5\mu\text{A} = 16\text{mA}/32,000$

由上列模式 4 / 模式 5 之公式推算，將 Gain = 12mA (19,200)，Offset = 4mA (6,400) 帶入公式。

- 模式 0 / 模式 1：

模式 0 (CR#2 ~ CR#5)	$\pm 10\text{V}$ ，Gain = 5V (16,000)，Offset = 0V (0)
模式 1 (CR#2 ~ CR#5)	$\pm 5\text{V}$ ，Gain = 2.5V (16,000)，Offset = 0V (0)
數位資料範圍 (極限值)	$\pm 32,000$ ( $\pm 32,384$ )

- 模式 2 / 模式 3：

模式 2 (CR#2 ~ CR#5)	0 ~ +10V，Gain = 5V (16,000)，Offset = 0V (0)
模式 3 (CR#2 ~ CR#5)	0 ~ +5V，Gain = 2.5V (16,000)，Offset = 0V (0)
數位資料範圍 (極限值)	0 ~ +32,000 (-384 ~ +32,384)

- 模式 4：

模式 4 (CR#2 ~ CR#5)	$\pm 20\text{mA}$ ，Gain = 10mA (16,000)，Offset = 0mA (0)
數位資料範圍 (極限值)	$\pm 32,000$ ( $\pm 32,384$ )

- 模式 5 / 模式 6：

模式 5 (CR#2 ~ CR#5)	0 ~ +20mA，Gain = 10mA (16,000)，Offset = 0mA (0)
模式 6 (CR#2 ~ CR#5)	+4 ~ +20mA，Gain = 12mA (19,200)，Offset = 4mA (6,400)
數位資料範圍 (極限值)	0 ~ +32,000 (-384 ~ +32,384)

## ■ 調整 D/A 轉換特性曲線

使用者可依實際應用需要來調整轉換特性曲線，調整時以改變 Offset 值(CR#32 ~ CR#33) 及 Gain 值(CR#38 ~ CR#39)來進行。

詳細公式及曲線圖請參閱英文版頁碼 7 ~ 8 之定義，在此語言版本省略說明。

- 電壓輸出模式 0 公式： $0.3125\text{mV} = 20\text{V}/64,000$
- 電壓輸出模式 1 公式： $0.625\mu\text{A} = 20\text{mA}/32,000$
- 電流輸出模式 2 公式： $0.5\mu\text{A} = 16\text{mA}/32,000$

由模式 1 之公式推算，將 Gain = 12mA (19,200)，Offset = 4mA (6,400)帶入公式。

- 模式 0 / 模式 1 / 模式 2：

模式 0 (CR#6 ~ CR#7)	$\pm 10\text{V}$ ，Gain = 5V (16,000)，Offset = 0V (0)
數位資料範圍 (極限值)	$\pm 32,000$ (-32,768 ~ +32,767)

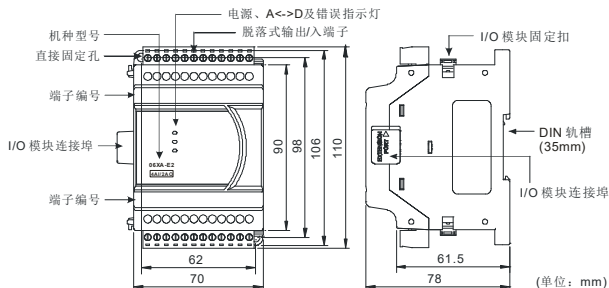
模式 1 (CR#6 ~ CR#7)	0 ~ +20mA，Gain = 10mA (16,000)，Offset = 0mA (0)
數位資料範圍 (極限值)	0 ~ +32,000 (0 ~ +32,767)

模式 2 (CR#6 ~ CR#7)	4 ~ +20mA，Gain = 12mA (19,200)，Offset = 4mA (6,400)
數位資料範圍 (極限值)	0 ~ +32,000 (-6400 ~ +32,767)

感谢您采用台达 DVP 系列产品。DVP06XA-E2 模拟量输入/输出混合模块可接受外部 4 点模拟量信号输入 (电压或电流皆可), 将之转换成 16 位之数字量信号。模拟量信号输出部份接受来自 PLC 主机的 2 组 16 位数字量数据, 再将数字量数据转换为 2 点模拟量信号输出 (电压或电流皆可)。使用者可经由配线选择电压输入或电流输入, 并可透过主机以 FROM / TO 指令来读写模块内数据, 或者以 MOV 指令直接读取对应通道平均值, 或直接写入对应通道的输出值 (请参阅 D9900 ~ D9999 特殊寄存器使用说明)。

- ✦ 本安装说明书提供给使用者电气规格、功能规格、安装配线的相关注意事项。其它详细之程序设计及指令说明请见 DVP-ES2 操作手册【程序篇】, 选购的周边装置详细说明请见该产品随机安装说明书。
- ✦ 本机为开放型 (OPEN TYPE) 机壳, 因此使用者使用本机时, 必须将其安装于具防尘、防潮及免于电击/冲击意外的外壳配线箱内。另必须具备保护措施 (如: 特殊的工具或钥匙才可打开) 防止非维护人员操作或意外冲击本体, 造成危险及损坏。
- ✦ 交流输入电源不可连接于输入/出信号端, 否则可能造成严重损坏, 请在上电之前再次确认电源配线。请勿在上电时触摸任何端子。本体上的接地端子 ⊕ 务必正确的接地, 可提高产品抗干扰能力。

## ■ 产品外观尺寸与部位介绍



## ■ 外部配线

### ● 主动式输入

请参阅繁体中文版页码 9 之配线图, 在此语言版本省略说明。

### ● 被动式输入

请参阅繁体中文版页码 10 之配线图, 在此语言版本省略说明。

### ● 输出

请参阅繁体中文版页码 10 之配线图, 在此语言版本省略说明。

注 1: 模拟量输入请与其它电源线隔离。

注 2: 如果连接电流信号时, V+ 及 I+ 端子请务必短路。

注 3: 如果输入电压有涟波造成配线受干扰时, 请连接 0.1~0.47  $\mu\text{F}$  25V 的电容。

注 4: 模拟输出请与其它电源线隔离。

注 5: 如果负载的输出端涟波太大造成配线受干扰时, 请连接 0.1~0.47  $\mu\text{F}$  25V 的电容。

注 6: 请将电源模块的 ⊕ 端及 DVP06XA 模拟量输出模块的 ⊕ 端连接到系统接地点, 再将系统接地点作第三种接地或接到配电箱的机壳上。

## ■ 输入 / 输出端子台配置

请参阅英文网页码 2 之端子配置图, 在此语言版本省略说明。



## ■ 电气规格

DVP06XA-E2	
电源电压	24VDC (20.4VDC ~ 28.8VDC) (-15% ~ +20%)
额定最大消耗功率	2.5W, 由外部电源供应。
连接方式	脱落式欧式端子座 (端点距离: 5mm)
操作 / 储存环境	操作: 0°C ~ 55°C (温度), 5 ~ 95% (湿度) 污染等级 2 储存: -25°C ~ 70°C (温度), 5 ~ 95% (湿度)
耐振动 / 冲击	国际标准规范 IEC61131-2, IEC 68-2-6 (TEST Fc) / IEC61131-2 & IEC 68-2-27 (TEST Ea)
与 DVP-PLC 主机串接说明	模块编号以靠近主机的顺序自动编号由 0 到 7, 最大可连接 8 台且不占用数字量 I/O 点数。

## ■ 功能规格

共同规格					
数字数据格式	16 位二补码				
响应时间	400 $\mu$ s / 每个通道				
总和精密度	$\pm 0.5\%$ 在 (25°C, 77°F) 范围内满刻度时 $\pm 1\%$ 在 (0 ~ 55°C, 32 ~ 131°F) 范围内满刻度时				
隔离方式	模拟量电路与数字电路之间, 透过光耦隔离, 模拟量通道间未隔离 数字量电路与接地之间: 500VDC; 模拟量电路与接地之间: 500VDC 模拟量电路与数字量电路之间: 500VDC; 24VDC 与接地之间: 500VDC				
混和模块- A/D					
	电压输入			电流输入	
模拟量讯号输入通道	4 通道 / 台				
模拟量输入范围	$\pm 10V$	$\pm 5V$	$\pm 20mA$	0 ~ 20mA	4 ~ 20mA
数字量数据范围	$\pm 32,000$	$\pm 32,000$	$\pm 32,000$	0 ~ 32,000	0 ~ 32,000
数字量数据范围极限值	$\pm 32,384$	$\pm 32,384$	$\pm 32,384$	-384 ~ +32,384	-384 ~ +32,384
硬件分辨率	14 bits	14 bits	14 bits	13 bits	13 bits
输入阻抗	$\geq 1M\Omega$		250 $\Omega$		
绝对输入范围	$\pm 15V$		$\pm 32mA$		
平均功能	有, CR#8 ~ CR#11 可设定, 设定范围: K1 ~ K100				
自我诊断功能	上下极限侦测 / 通道				
混和模块- D/A					
	电压输出		电流输出		
模拟量讯号输出通道	2 通道/台				
模拟量输出范围	-10V ~ 10V		0 ~ 20mA	4mA ~ 20mA	
数字量数据范围	-32,000 ~ +32,000		0 ~ +32,000	0 ~ +32,000	
数字量数据范围极限值	-32,768 ~ +32,767		0 ~ +32,767	-6,400 ~ +32,767	
硬件分辨率	14 bits		14 bits	14 bits	
最大输出电流	10mA		—		
容许负载阻抗	$\geq 1K\Omega$		$\leq 500\Omega$		
输出阻抗	$\leq 0.5\Omega$		$\geq 1M\Omega$		
保护	电压输出有短路保护但须注意长时间短路仍有可能造成内部线路损坏, 电流输出可开路。				

## ■ 控制寄存器 CR

CR#	属性	寄存器名称	说明	
#0	O	R	机种型号	系统内定, DVP06XA-E2 机种代码 = H'00C4
#1	O	R	固件版本	16 进制, 显示目前固件版本
#2	O	R/W	CH1 输入模式设定	输入模式设定: 出厂设定值 H'0000。以 CH1 说明 模式 0 (H'0000): 电压输入 ( $\pm 10V$ )
#3	O	R/W	CH2 输入模式设定	模式 1 (H'0001): 电压输入 ( $\pm 5V$ ) 模式 2 (H'0002): 电压输入 ( $0 \sim +10V$ )
#4	O	R/W	CH3 输入模式设定	模式 3 (H'0003): 电压输入 ( $0 \sim +5V$ ) 模式 4 (H'0004): 电流输入 ( $\pm 20mA$ )
#5	O	R/W	CH4 输入模式设定	模式 5 (H'0005): 电流输入 ( $0 \sim +20mA$ ) 模式 6 (H'0006): 电流输入 ( $4 \sim +20mA$ ) 模式-1 (H'FFFF): 关闭 CH1 不使用
#6	O	R/W	CH5 输出模式设定	输出模式设定: 出厂设定值 H'0000。以 CH5 来说明 模式 0 (H'0000): 电压输出( $\pm 10V$ )
#7	O	R/W	CH6 输出模式设定	模式 1 (H'0001): 电流输出 ( $0 \sim +20mA$ ) 模式 2 (H'0002): 电流输出 ( $4 \sim +20mA$ ) 模式-1 (H'FFFF): 关闭 CH5 不使用
#8	O	R/W	CH1 平均次数	通道 CH1 ~ CH4 讯号的平均次数设定: 设定范围 K1 ~ K100 出厂设定值 K10
#9	O	R/W	CH2 平均次数	
#10	O	R/W	CH3 平均次数	
#11	O	R/W	CH4 平均次数	
#12	X	R	CH1 输入信号平均值	通道 CH1 ~ CH4 输入信号平均值显示
#13	X	R	CH2 输入信号平均值	
#14	X	R	CH3 输入信号平均值	
#15	X	R	CH4 输入信号平均值	
#16	X	R/W	CH5 输出数值	电压输出可设定范围 K-32,000 ~ K32,000。电流输出可 设定范围 K0 ~ K32,000。出厂设定值为 K0。
#17	X	R/W	CH6 输出数值	
#20	X	R	CH1 输入信号现在值	通道 CH1 ~ CH4 输入信号现在值显示
#21	X	R	CH2 输入信号现在值	
#22	X	R	CH3 输入信号现在值	
#23	X	R	CH4 输入信号现在值	
#28	O	R/W	CH1 微调 Offset 值	通道 CH1 ~ CH6 讯号的 Offset 设定, 出厂设定值 K0 Offset 定义: 当数字量输入值为 0 时的电压(电流)输出值
#29	O	R/W	CH2 微调 Offset 值	
#30	O	R/W	CH3 微调 Offset 值	
#31	O	R/W	CH4 微调 Offset 值	
#32	O	R/W	CH5 微调 Offset 值	
#33	O	R/W	CH6 微调 Offset 值	
#34	O	R/W	CH1 微调 Gain 值	通道 CH1 ~ CH6 讯号的 Gain 设定, 出厂设定值 K16,000。 Gain 定义: 当数字量输入值为 16,000 时的电压(电流)输出值
#35	O	R/W	CH2 微调 Gain 值	
#36	O	R/W	CH3 微调 Gain 值	
#37	O	R/W	CH4 微调 Gain 值	
#38	O	R/W	CH5 微调 Gain 值	
#39	O	R/W	CH6 微调 Gain 值	
微调 Offset 值、微调 Gain 值:				
注 1: 当输入模式设定为模式 6 或是输出模式设定为模式 2 时, 该信道不开放用户设定微调 Offset 值、微调 Gain 值。				
注 2: 当输入模式变更时, 微调 Offset 值、微调 Gain 值将会自动回复为该模式默认值。				
#40	O	R/W	禁止设定值变更	CH1 ~ CH6 禁止设定值变更, 出厂设定值 H'0000
#41	X	R/W	储存所有设定值	储存保持参数的设定值, 出厂设定值 H'0000
#43	X	R	错误状态	储存所有错误状态的数据寄存器, 详细内容请参照错误 信息表

CR#	属性	寄存器名称	说明
#100	O R/W	上下限侦测致能/禁能	上下限侦测功能, b0~b5 对应 CH1~CH6 (0: Disable / 1: Enable), 出厂设定值 H'0000
#101	X R/W	上下限值状态	上下限值状态显示(0: 无超出上/下限值, 1: 超出上/下限值), b0~b5 对应 CH1~CH6 之下限侦测结果; b8~b13 对应 CH1~CH6 之上限侦测结果。
#102	O R/W	CH1 上限设定值	CH1 ~ CH6 上限值设定, 出厂设定值 K32000
#103	O R/W	CH2 上限设定值	
#104	O R/W	CH3 上限设定值	
#105	O R/W	CH4 上限设定值	
#106	O R/W	CH5 上限设定值	
#107	O R/W	CH6 上限设定值	
#108	O R/W	CH1 下限设定值	CH1 ~ CH6 下限值设定, 出厂设定值 K-32000
#109	O R/W	CH2 下限设定值	
#110	O R/W	CH3 下限设定值	
#111	O R/W	CH4 下限设定值	
#112	O R/W	CH5 下限设定值	
#113	O R/W	CH6 下限设定值	
#114	O R/W	CH5 输出更新时间	CH5 ~ CH6 输出更新时间设定, 出厂设定值 H'0000
#115	O R/W	CH6 输出更新时间	
#118	O R/W	LV 输出状态设定	低电压 LV 发生时, 输出状态设定, 出厂设定值 H'0000
符号定义: O 表示为保持型, 当 CR#41 设定为 H'5678 时会将数据保存; X 表示为非保持型; R 表示为可使用 FROM 指令读取数据; W 表示为可使用 TO 指令写入数据。			

※ CR#43 错误状态表:

说 明					
bit0	K1 (H'1)	电源异常	bit6	K64 (H'40)	CH4 转换值异常
bit1	K2 (H'2)	系统保留	bit9	K512(H'0200)	模式设定错误
bit2	K4 (H'4)	转换值超出所设定的上下限值	bit10	K1024(H'0400)	平均次数设定错误
bit3	K8 (H'8)	CH1 转换值异常	bit11	K2048(H'0800)	上下限值设定错误
bit4	K16 (H'10)	CH2 转换值异常	bit12	K4096(H'1000)	设定值禁止变更
bit5	K32 (H'20)	CH3 转换值异常	bit13	K8192(H'2000)	下级模块断线
注: 每个错误状态由相对应之位 b0 ~ b13 决定, 有可能会同时产生两个以上之错误状态, 0 代表正常无错误, 1 代表有错误状态产生。					

※ 模块重置(韧体版本 V1.14 以上才可使用): 若需要将此模块所有设定重置, 可将重置指令 H'4352 写入 CR#0, 并断电重启。此重置动作将会重新初始化模块所有参数设定, 为避免初始化过程影响其他模块的正常运作, 建议每次只连接一台模块重置, 并且于下达重置命令后等待 1 秒再断电。

## ■ 特殊寄存器 D9900 ~ D9999 使用说明

DVP-ES2 主机连接特殊 I/O 模块时, 寄存器 D9900 ~ D9999 将被占用, 使用者可利用 MOV 指令在程序中指定 D9900 ~ D9999 来运算。

DVP-ES2 主机连接 DVP06XA-E2 时, 特殊寄存器的分配如下:

第 1 台	第 2 台	第 3 台	第 4 台	第 5 台	第 6 台	第 7 台	第 8 台	说明
D1320	D1321	D1322	D1323	D1324	D1325	D1326	D1327	联机特殊 I/O 模块机种代码
D9900	D9910	D9920	D9930	D9940	D9950	D9960	D9970	CH1 输入信号平均值
D9901	D9911	D9921	D9931	D9941	D9951	D9961	D9971	CH2 输入信号平均值
D9902	D9912	D9922	D9932	D9942	D9952	D9962	D9972	CH3 输入信号平均值

第 1 台	第 2 台	第 3 台	第 4 台	第 5 台	第 6 台	第 7 台	第 8 台	说明
D9903	D9913	D9923	D9933	D9943	D9953	D9963	D9973	CH4 输入信号平均值
D9904	D9914	D9924	D9934	D9944	D9954	D9964	D9974	CH5 输出数值
D9905	D9915	D9925	D9935	D9945	D9955	D9965	D9975	CH6 输出数值

※ 输入信号平均值寄存器为读出专用，请勿在程序中修改。若要利用 D9900 ~ D9999 读取通道输入现在值，可利用 WPLSoft 或 FROM/TO 指令将平均次数 (CR#8 ~ CR#11) 设定为 1。

## ■ 调整 A/D 转换特性曲线

使用者可依实际应用需要来调整转换特性曲线，调整时以改变 Offset 值(CR#28 ~ CR#31) 及 Gain 值(CR#34 ~ CR#37)来进行。

详细公式及曲线图请参阅英文版页码 5 ~ 7 的定义，在此语言版本省略说明。

- 电压输入模式 0 / 模式 2 公式： $0.3125\text{mV} = 20\text{V}/64,000 = 10\text{V}/32,000$
- 电压输入模式 1 / 模式 3 公式： $0.15625\text{mV} = 10\text{V}/64,000 = 5\text{V}/32,000$
- 电流输入模式 4 / 模式 5 公式： $0.625\mu\text{A} = 40\text{mA}/64,000 = 20\text{mA}/32,000$
- 电流输入模式 6 公式： $0.5\mu\text{A} = 16\text{mA}/32,000$   
由上列电流输入模式 4 / 模式 5 之公式推算，将 Gain = 12mA (19,200), Offset = 4mA (6,400) 带入公式。
- 模式 0 / 模式 1:

模式 0 (CR#2 ~ CR#5)	$\pm 10\text{V}$ , Gain = 5V (16,000), Offset = 0V (0)
模式 1 (CR#2 ~ CR#5)	$\pm 5\text{V}$ , Gain = 2.5V (16,000), Offset = 0V (0)
数字量数据范围 (极限值)	$\pm 32,000$ ( $\pm 32,384$ )

- 模式 2 / 模式 3:

模式 2 (CR#2 ~ CR#5)	0 ~ +10V, Gain = 5V (16,000), Offset = 0V (0)
模式 3 (CR#2 ~ CR#5)	0 ~ +5V, Gain = 2.5V (16,000), Offset = 0V (0)
数字量数据范围 (极限值)	0 ~ +32,000 (-384 ~ +32,384)

- 模式 4:

模式 4 (CR#2 ~ CR#5)	$\pm 20\text{mA}$ , Gain = 10mA (16,000), Offset = 0mA (0)
数字量数据范围 (极限值)	$\pm 32,000$ ( $\pm 32,384$ )

- 模式 5 / 模式 6:

模式 5 (CR#2 ~ CR#5)	0 ~ +20mA, Gain = 10mA (16,000), Offset = 0mA (0)
模式 6 (CR#2 ~ CR#5)	+4 ~ +20mA, Gain = 12mA (19,200), Offset = 4mA (6,400)
数字量数据范围 (极限值)	0 ~ +32,000 (-384 ~ +32,384)

## ■ 调整 D/A 转换特性曲线

使用者可依实际应用需要来调整转换特性曲线，调整时以改变 Offset 值(CR#32 ~ CR#33) 及 Gain 值(CR#38 ~ CR#39)来进行。

详细公式及曲线图请参阅英文版页码 7 ~ 8 的定义，在此语言版本省略说明。

- 电压输出模式 0 公式： $0.3125\text{mV} = 20\text{V}/64,000$
- 电流输出模式 1 公式： $0.625\mu\text{A} = 20\text{mA}/32,000$
- 电流输出模式 2 公式： $0.5\mu\text{A} = 16\text{mA}/32,000$   
由模式 1 之公式推算，将 Gain = 12mA (19,200), Offset = 4mA (6,400) 带入公式。
- 模式 0 / 模式 1 / 模式 2:

模式 0 (CR#2 ~ CR#5)	$\pm 10\text{V}$ , Gain = 5V (16,000), Offset = 0V (0)
数字量数据范围 (极限值)	$\pm 32,000$ (-32,768 ~ +32,767)

模式 1 (CR#2 ~ CR#5)	0 ~ +20mA, Gain = 10mA (16,000), Offset = 0mA (0)
数字量数据范围 (极限值)	0 ~ +32,000 (0 ~ +32,767)

模式 2 (CR#2 ~ CR#5)	4 ~ +20mA, Gain = 12mA (19,200), Offset = 4mA (6,400)
数字量数据范围 (极限值)	0 ~ +32,000 (-6400 ~ +32,767)