

AH10SCM-5A

EN Instruction Sheet
TR Bilgi Dökümanı
TW 安裝說明
CN 安装说明



5012609402
2022-05-13



www.deltaww.com



- EN ✘ This is an OPEN TYPE module and therefore should be installed in an enclosure free of airborne dust, humidity, electric shock and vibration. The enclosure should prevent non-maintenance staff from operating the device (e.g. key or specific tools are required for operating the enclosure) in case danger and damage on the device may occur.
- FR ✘ Ceci est un module ouvert et il doit donc être installé dans un coffret à l'abri des poussières, des vibrations et ne pas être exposé aux chocs électriques. Le boîtier ou l'armoire doit éviter toute action d'un personnel autre que celui affecté à la maintenance de l'appareil (par exemple, clefs, outils spécifiques pour l'ouverture du coffret), ceci afin d'éviter tout accident corporel ou endommagement du produit).
- TR ✘ Bu ürün AÇIK TİP bir modül olup toz, rutubet, elektrik şoku ve titreşimden uzak kapalı yerlerde muhafaza edilmelidir. Yanlış kullanım sonucu ürünün zarar görmesini önlemek için yetkili olmayan kişiler tarafından ürüne müdahale edilmesini önleyecek koruyucu önlemler alınmalıdır. (Ürünün bulunduğu panoya kilit konulması gibi).
- TW ✘ 本機為開放型 (OPEN TYPE) 機種，因此使用者使用本機時，必須將之安裝於具防塵、防潮及免於電擊衝擊意外之外殼配線箱內。另必須具備保護措施 (如：特殊之工具或鑰匙才可打開) 防止非維護人員操作或意外衝擊本體，造成危險及損壞。
- CN ✘ 本机为开放型 (OPEN TYPE) 机种，因此使用者使用本机时，必须将其安装于具防尘、防潮及免于电击/冲击意外的外壳配线箱内。另必须具备保护措施 (如：特殊的工具或钥匙才可打开) 防止非维护人员操作或意外冲击本体，造成危险及损坏。

EN Please refer to the AH500 Series Hardware and Operation Manual for more information

TR Daha fazla bilgi için lütfen AH500 Serisi Donanım ve Kullanım Klavuzuna bakınız.

TW 詳細資料請參考 AH500 系列硬體及操作手冊

CN 详细资料请参考 AH500 系列硬件及操作手册

EN Assembly

TR Montaj

TW 安裝

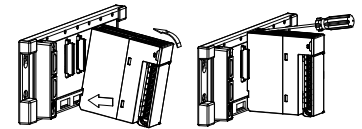
CN 組裝

EN Insert the module projections into the holes on the backplane. Then, push the module in the direction indicated by the arrow until it clicks. Finally, tighten the screws on the module.

TR Modül çıkıntısını alt panel üzerindeki deliklere yerleştiriniz. Daha sonra ok işareti ile gösterilen yönde tıkkalayıcıya kadar modülü itiniz. Son olarak modül üzerindeki vidaları sıkınız.

TW 將模組下方的卡勾卡在背板的卡槽，對準背板的 IO 介面將此模組向前壓，安裝後將此模組上方的螺絲鎖緊。

CN 將模块下方的卡勾卡在背板的卡槽，对准背板的 IO 接口将此模块向前压，安装后将此模块上方的螺丝锁紧。



EN I/O

TR I/O

TW 輸入輸出

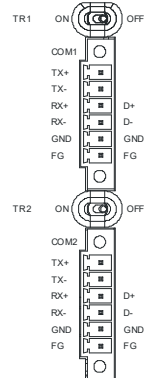
CN 輸入輸出

EN It is a serial communication module with two sets of built-in RS-485/422 ports. Power and communication are isolated. Besides, MODBUS and UD Link protocol are supported.

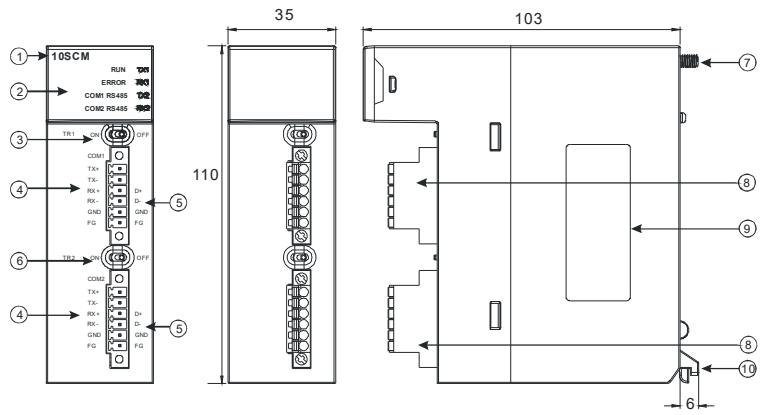
TR Bu bir seri haberleşme modülüdür ve dahili 2 takım RS-485/422 portu bulunur. Besleme, haberleşmeden izole edilmiştir. Ayrıca, MODBUS ve UD Link protokolü desteklenmektedir.

TW 串列通訊模組，內建兩組 RS-485/422 接口，電源及通訊全隔離，支援 MODBUS 與 UD Link 協定

CN 串行通讯模块，内建两组 RS-485/422 接口，电源及通讯全隔离，支持 MODBUS 与 UD Link 协议



EN Dimensions(mm) & Product Profile
 TR Ölçüler(mm) & Ürün Görünüşü
 TW 尺寸(mm)及產品外觀
 CN 尺寸(mm)及產品外觀



EN	TR	TW	CN
1 Model name	Model adı	機種名稱	机种名称
2 Run/Error/Communication indicator	Run/Error/Haberleşme göstergesi	運行/錯誤/通訊指示燈	运行/错误/通讯指示灯
3 Terminal resistor 1 switch	Terminal direnç 1 anahtar	終端電阻 1 切換開關	终端电阻 1 切换开关
4 COM1/COM2 RS-422 terminal layout	COM1/COM2 RS-422 terminal yerleşimi	COM1/COM2 RS-422 端子配置	COM1/COM2 RS-422 端子配置
5 COM1/COM2 RS-485 terminal layout	COM1/COM2 RS-485 terminal yerleşimi	COM1/COM2 RS-485 端子配置	COM1/COM2 RS-485 端子配置
6 Terminal resistor 2 switch	Terminal direnç 2 anahtar	終端電阻 2 切換開關	终端电阻 2 切换开关
7 Screw	Vida	固定螺絲	固定螺丝
8 Removable terminal	Sökülebilir terminal	脫落式端子	脱落式端子
9 Label	Etiket	標籤	标签
10 Module clip	Modül klipsi	模組固定卡口	模块固定卡口

EN	TR	TW	CN
Pin definition	Pin açıklama	接腳定義	接脚定义
Pin	RS-485	RS-422	
1	N/C	TX+	
2	N/C	TX-	
3	D+	RX+	
4	D-	RX-	
5	GND	GND	
6	FG	FG	



部件名称 Part Name 金属部件 Metal Part 塑料部件 Plastic Part 电子件 Electronic 触点 Contacts 线缆和线缆附件 Cable & Cabling accessories 电池 Battery	有毒物质-Hazardous Substances 铅 (Pb) 汞 (Hg) 镉 (Cd) 六价铬 (Cr VI) 多溴联苯 (PBB) 多溴二苯醚 (PBDE)						台達電子工業股份有限公司 機電事業群 地址：33068 桃園市桃園區興隆路 18 號 電話：886-3-3626301 傳真：886-3-3716301						Industrial Automation Headquarters Delta Electronics, Inc. Taoyuan Technology Center No.18, Xinglong Rd., Taoyuan District, Taoyuan City, 33068, Taiwan TEL: 886-3-362-6301 / FAX: 886-3-371-6301					
	中达电通股份有限公司 地址：上海市浦东新区民夏路 238 号 邮编：201209 电话：(021) 5863-5678 传真：(021) 5863-0003						Delta Greentech (China) Co., Ltd. 238 Min-Xia Road, Pudong District, Shanghai, P.R.C. 201209 TEL: 86-21-5863-5678 / FAX: 86-21-5863-0003											
本表格依据 SJ/T 11364 的规定编制。 O: 表示该有害物质在该部件所有均质材料中的含量均在 GB/T 26572 规定的限量要求以下。 X: 表示该有害物质在该部件的某一均质材料中的含量超出 GB/T 26572 规定的限量要求。 This table is made according to SJ/T 11364. O: Indicates that the concentration of hazardous substance in all of the homogeneous materials for this part is below the limit as stipulated in GB/T 26572. X: Indicates that concentration of hazardous substance in at least one of the homogeneous materials used for this part is above the limit as stipulated in GB/T 26572.																		
Asia China: Delta Electronics (Shanghai) Co., Ltd. No.182 Minyu Rd., Pudong Shanghai, P.R.C. Post code : 201209 TEL: +86-21-6872-3988 / FAX: +86-21-6872-3996 Customer Service: 400-820-9595 Japan: Delta Electronics (Japan), Inc. Industrial Automation Sales Department 2-1-14 Shibadamon, Minato-ku Tokyo, Japan 105-0012 TEL: +81-3-5733-1155 / FAX: +81-3-5733-1255 Korea: Delta Electronics (Korea), Inc. 1511, 219, Gasan Digital 1-Ro., Geumcheon-gu, Seoul, 08501 South Korea TEL: +82-2-515-5305 / FAX: +82-2-515-5302 Singapore: Delta Energy Systems (Singapore) Pte Ltd. 4 Kaki Bukit Avenue 1, #05-04, Singapore 417939 TEL: +65-6747-5155 / FAX: +65-6744-9228 India: Delta Electronics (India) Pvt. Ltd. Plot No.43, Sector 35, HSIDC Gurgaon, PIN 122001, Haryana, India TEL: +91-124-4874900 / FAX: +91-124-4874945			Thailand: Delta Electronics (Thailand) PCL. 909 Soi 9, Moo 4, Bangpoo Industrial Estate (E.P.Z), Pattana 1 Rd., T.Phraksa, A.Muang, Samutprakarn 10280, Thailand TEL: +66-2709-2800 / FAX: +66-2709-2827 Australia: Delta Electronics (Australia) Pty Ltd. Unit 20-21/45 Normanby Rd., Notting Hill Vic 3168, Australia TEL: +1-919-767-3813 / FAX: +1-919-767-3969 Brazil: Delta Electronics Brazil Ltd. Estrada Velha Rio-São Paulo, 5300 Eugênio de Melo - São José dos Campos CEP:12247-004-SP- Brazil TEL: +55-12-3932-2300 / FAX: +55-12-3932-237 Mexico: Delta Electronics International Mexico S.A. de C.V. Gustavo Baz No. 309 Edificio E PB 103 Colonia La Loma, CP 54060 Tlalnepantla, Estado de México TEL: +52-55-3603-9200			EMEA EMEA Headquarters: Delta Electronics (Netherlands) B.V. Automotive Campus 260, 5708 JZ Helmond, The Netherlands Mail: Sales.IA.EMEA@deltaww.com TEL: +31(0)40 800 3900 BENELUX: Delta Electronics (Netherlands) B.V. Coesterweg 45, D-59494 Soest, Germany Mail: Sales.IA.DACH@deltaww.com TEL: +49(0)2921 987 0 France: Delta Electronics (France) S.A. ZI du bois Challand 2, 15 rue des Pyrénées, Lisses, 91090 Evry Cedex, France Mail: Sales.IA.FR@deltaww.com TEL: +33(0)1 69 77 82 60 UK: Delta Electronics Europe Ltd. 1 Redwood Court, East Kilbride, Glasgow, G74 5PF, United Kingdom TEL: +44-1355-588-888			Iberia: Delta Electronics Solutions (Spain) S.L.U Ctra. De Villaverde s/Vallecas, 265 1º Dcha Ed. Hormigueras - P.I. de Vallecas 28031 Madrid TEL: +34(0)91 223 74 20 Carrer Llacuna 166, 08018 Barcelona, Spain Mail: Sales.IA.Iberia@deltaww.com Italy: Delta Electronics (Italy) S.r.l. Via Meda 2-22060 Novedrate(CO) Piazza Grazioli 18 00186 Roma Italy Mail: Sales.IA.Italy@deltaww.com TEL: +39 039 8900365 Russia: Delta Energy System LLC Vereyskaya Plaza II, office 112 Vereyskaya str. 17 121357 Moscow Russia Mail: Sales.IA.RU@deltaww.com TEL: +7 495 644 3240 Turkey: Delta Greentech Elektronik San. Ltd. Sti. (Turkey) Senfali Mah. Hendem Cad. Kule Sok. No:16-A 34775 Umraniye - Istanbul Mail: Sales.IA.Turkey@deltaww.com TEL: + 90 216 499 9910 MEA: Eltek Dubai (Eltek MEA DMCC) OFFICE 2504, 25th Floor, Saba Tower 1, Jumeirah Lakes Towers, Dubai, UAE Mail: Sales.IA.MEA@deltaww.com TEL: +971(0)4 2690148									
*We reserve the right to change the information in this instruction sheet without prior notice.																		