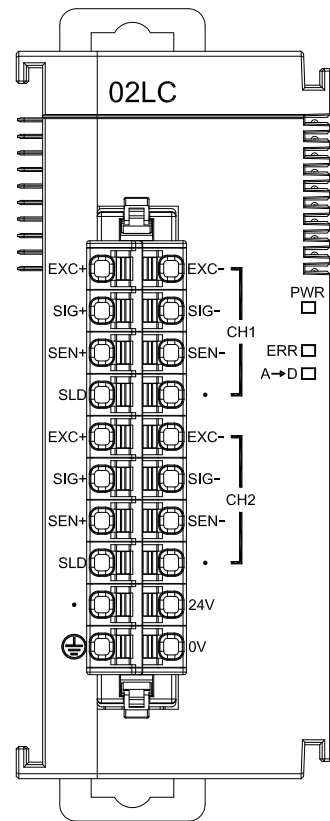
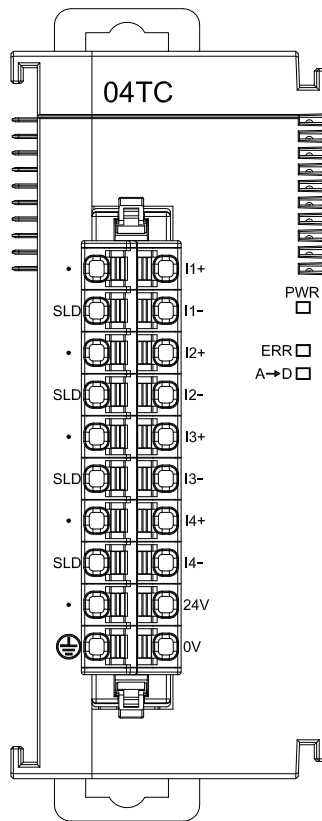
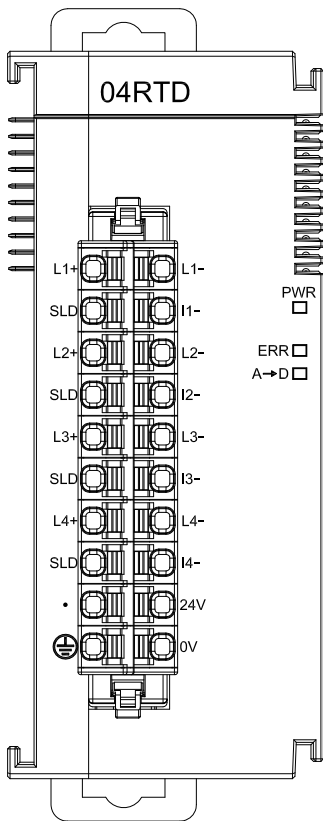
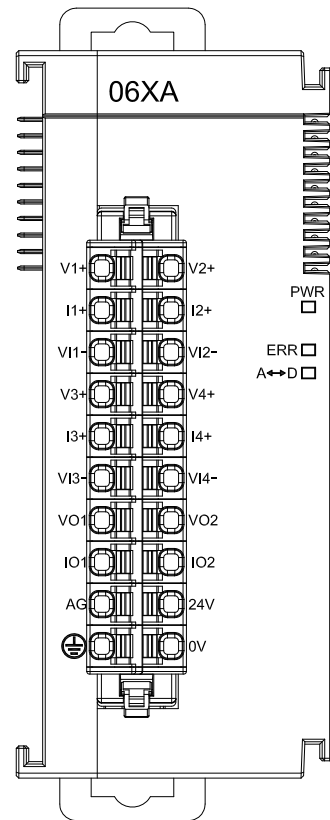
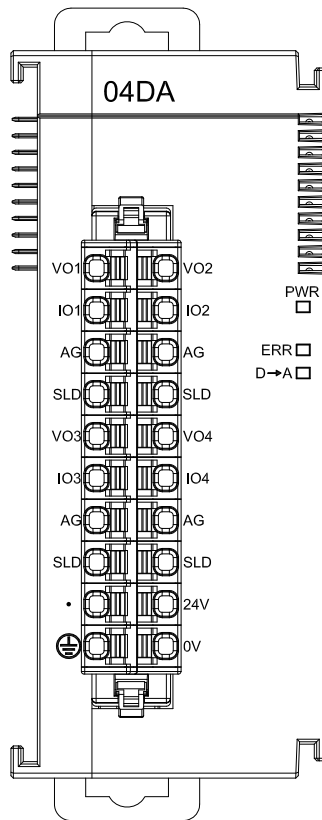
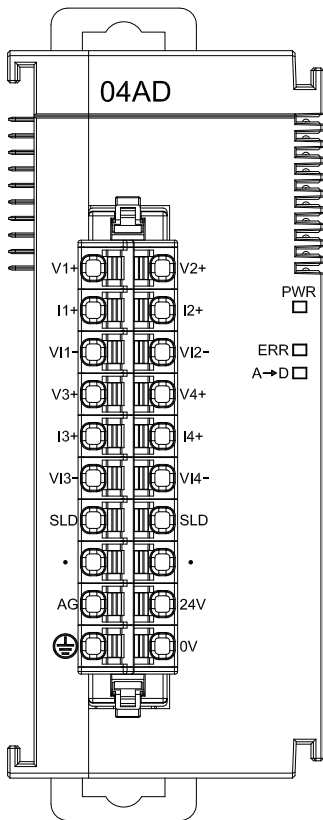


Dimensions are in mm



PRINT