

AS-FEN02
AS-FPFN02
AS-FOPC02
AS-FECAT

EN Instruction Sheet
TR Bilgi Dökümanı
TW 安裝說明
CN 安装说明



5014071804
2022-04-15



- EN ⚡ This is an OPEN TYPE module and therefore should be installed in an enclosure free of airborne dust, humidity, electric shock and vibration. The enclosure should prevent non-maintenance staff from operating the device (e.g. key or specific tools are required for operating the enclosure) in case danger and damage on the device may occur.
- FR ⚡ Ceci est un module ouvert et il doit donc être installé dans un coffret à l'abri des poussières, des vibrations et ne pas être exposé aux chocs électriques. Le boîtier ou l'armoire doit éviter toute action d'un personnel autre que celui affecté à la maintenance de l'appareil (par exemple, clefs, outils spécifiques pour l'ouverture du coffret), ceci afin d'éviter tout accident corporel ou endommagement du produit).
- TR ⚡ Bu ürün AÇIK TİP bir modül olup toz, rutubet, elektrik şoku ve titreşimden uzak kapalı yerlerde muhafaza edilmelidir. Yanlış kullanım sonucu ürünün zarar görmesini önlemek için yetkili olmayan kişiler tarafından ürüne müdahale edilmesini önleyecek koruyucu önlemler alınmalıdır. (Ürünün bulunduğu panoya kilit konulması gibi).
- TW ⚡ 本機為開放型 (OPEN TYPE) 機種，因此使用者使用本機時，必須將之安裝於具防塵、防潮及免於電擊/衝擊意外之外殼配線箱內。另必須具備保護措施 (如：特殊之工具或鑰匙才可打開) 防止非維護人員操作或意外衝擊本體，造成危險及損壞。
- CN ⚡ 本机为开放型 (OPEN TYPE) 机种，因此使用者使用本机时，必须将其安装于具防尘、防潮及免于电击/冲击意外的外壳配线箱内。另必须具备保护措施 (如：特殊的工具或钥匙才可打开) 防止非维护人员操作或意外冲击本体，造成危险及损坏。

EN Please refer to the AS Series Hardware and Operation Manual for more information.

TR Daha fazla bilgi için lütfen AS Serisi Donanım ve Kullanım Klavuzuna bakınız.

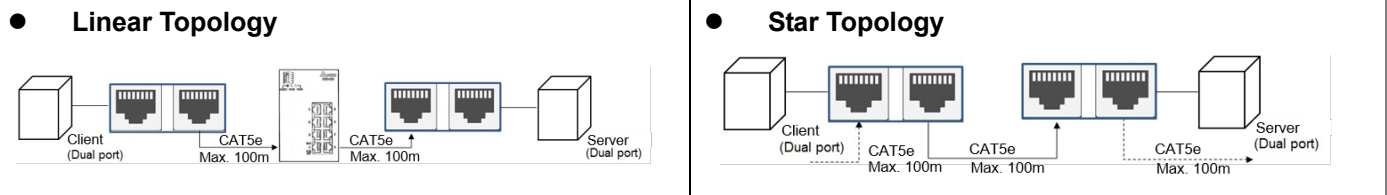
TW 詳細資料請參考 AS 系列硬體及操作手冊

CN 详细资料请参考 AS 系列硬件及操作手冊

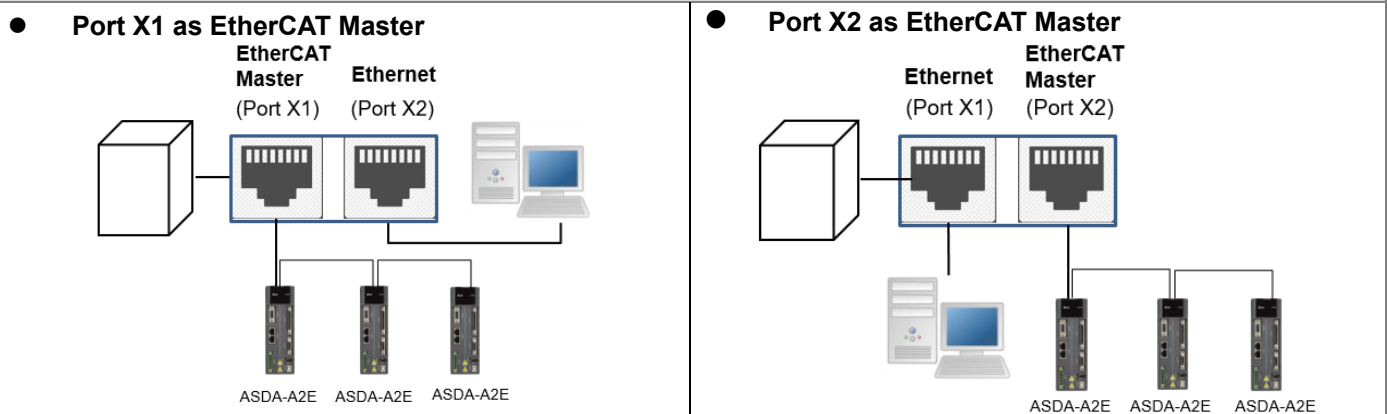
EN	Assembly	TR	Montaj	TW	安裝	CN	組裝
EN	Installation: Put the function card directly into the function card slot until hearing a click. Removal: Press down the clips on the both ends to release the function card and then pull it out.						
TR	Kurulum : Genişleme kartını doğrudan genişleme kart yuvasına klik sesi duyuncaya kadar itiniz. Çıkarma : Fonksiyon kartını çıkarmak için klipsleri her iki ucundan aşağı bastırın ve sonra dışarı çekin.						
TW	安裝：將擴充卡直接放入功能卡槽直至喀一聲。拆卸：按壓上下兩端卡榫處，並將功能卡抽出。						
CN	安裝：將擴充卡直接放入功能卡槽直至喀一聲。拆卸：按壓上下兩端卡榫處，並將功能卡抽出。						

EN Wiring TR Bağlantı TW 配線 CN 配线

AS-FEN02/AS-FPFN02/AS-FOPC02/AS-FECAT (EtherCAT OFF)



AS-FECAT (EtherCAT ON) EtherCAT port can be configured by software (ISPSofT)

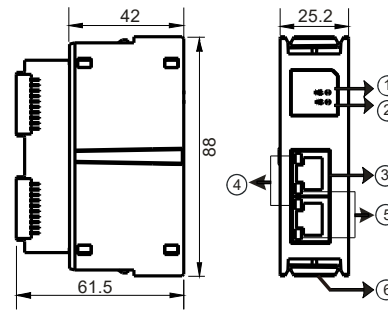


EN Dimensions(mm) & Product Profile

TR Ölçüler(mm) & Ürün Görünüşü

TW 尺寸 (mm) 及產品外觀

CN 尺寸 (mm) 及產品外觀



EN	TR	TW	CN
1 MS indicator ¹	MS göstergesi ¹	MS 指示燈 ¹	MS 指示灯 ¹
SF indicator ²	SF göstergesi ²	SF 指示燈 ²	SF 指示灯 ²
SYS indicator ³	SYS göstergesi ³	SYS 指示燈 ³	SYS 指示灯 ³
2 NS indicator ¹	NS göstergesi ¹	NS 指示燈 ¹	NS 指示灯 ¹
BF indicator ²	BF göstergesi ²	BF 指示燈 ²	BF 指示灯 ²
ECAT indicator ³	ECAT göstergesi ³	ECAT 指示燈 ³	ECAT 指示灯 ³
3 Ethernet port(RJ45)	Ethernet bağlantı noktası(RJ45)	Ethernet 通訊埠(RJ45)	Ethernet 通訊口(RJ45)
ECAT port (RJ45) ³	ECAT bağlantı noktası (RJ45) ³	ECAT 通訊埠(RJ45) ³	ECAT 通訊口(RJ45) ³
4 LINK indicator X1/X2	LINK göstergesi X1/X2	LINK 指示燈 X1/X2	LINK 指示灯 X1/X2
5 ACT indicator X1/X2	ACT göstergesi X1/X2	ACT 指示燈 X1/X2	ACT 指示灯 X1/X2
6 Clips	Klips	卡榫	卡榫

Note: ¹ AS-FEN02; AS-FOPC02; ² AS-PPFN02; ³ AS-FECAT

EN RJ45 pin definition	TR RJ45 pin açıklama	TW RJ45 接腳定義	CN RJ45 接腳定义
1 TX+	2 TX-	3 RX+	4 N/C
5 N/C	6 RX-	7 N/C	8 N/C

Part Name	有毒物质-Hazardous Substances							台達電子工業股份有限公司 機電事業群 地址：33068 桃園市桃園區興隆路 18 號 電話：886-3-3626301 傳真：886-3-3716301	Industrial Automation Headquarters Delta Electronics, Inc. Taoyuan Technology Center No.18, Xinglong Rd., Taoyuan District, Taoyuan City, 33068, Taiwan TEL: 886-3-362-6301 / FAX: 886-3-371-6301
	鉛 (Pb)	汞 (Hg)	鎘 (Cd)	六价铬 (Cr VI)	多溴联苯 (PBB)	多溴二苯醚 (PBDE)	中达电通股份有限公司 地址：上海市浦东新区民夏路 238 号 邮编：201209 电话：(021) 5863-5678 传真：(021) 5863-0003		
金属部件 Metal Part	X	0	0	0	0	0			
塑料部件 Plastic Part	0	0	0	0	0	0			
电子件 Electronic	X	0	0	0	0	0			
触点 Contacts	0	0	X	0	0	0			
线缆和线缆附件 Cable & Cabling accessories	X	0	0	0	0	0			
电池 Battery	0	0	0	0	0	0			
本表格依据 SJ/T 11364 的规定编制。 O：表示该有害物质在该部件所有均质材料中的含量均在 GB/T 26572 规定的限量要求以下。 X：表示该有害物质在该部件的某一均质材料中的含量超出 GB/T 26572 规定的限量要求。 This table is made according to SJ/T 11364. O: Indicates that the concentration of hazardous substance in all of the homogeneous materials for this part is below the limit as stipulated in GB/T 26572. X: Indicates that concentration of hazardous substance in at least one of the homogeneous materials used for this part is above the limit as stipulated in GB/T 26572.									
Asia China: Delta Electronics (Shanghai) Co., Ltd. No.182 Minyu Rd., Pudong Shanghai, P.R.C. Post code: 201209 TEL: +86-21-6872-3988 / FAX: +86-21-6872-3996 Customer Service: 400-820-9595 Japan: Delta Electronics (Japan), Inc. Industrial Automation Sales Department 2-1-14 Shibadaimon, Minato-ku Tokyo, Japan 105-0012 TEL: +81-3-5733-1155 / FAX: +81-3-5733-1255 Korea: Delta Electronics (Korea), Inc. 1511, 219, Gasan Digital 1-Ro., Geumcheon-gu, Seoul, 08501 South Korea TEL: +82-2-515-5305 / FAX: +82-2-515-5302 Singapore: Delta Energy Systems (Singapore) Pte Ltd. 4 Kaki Bukit Avenue 1, #05-04, Singapore 417939 TEL: +65-6747-5155 / FAX: +65-6744-9228 India: Delta Electronics (India) Pvt. Ltd. Plot No.43, Sector 35, HSIIDC-Gurgaon, PIN 122001, Haryana, India TEL: +91-124-4874900 / FAX: +91-124-4874945		Thailand: Delta Electronics (Thailand) PCL. 909 Soi 9, Moo 4, Bangpoo Industrial Estate (E.P.2), Pattana 1 Rd., T.Phraksa, A.Muang, Samutprakarn 10280, Thailand TEL: +66-2709-2800 / FAX: +66-2709-2827 Australia: Delta Electronics (Australia) Pty Ltd. Unit 20-21/45 Normanby Rd., Notting Hill Vic 3168, Australia TEL: +61-3-9543-3720 Americas USA: Delta Electronics (Americas) Ltd. 5101 Davis Drive, Research Triangle Park, NC 27709, U.S.A. TEL: +1-919-767-3813 / FAX: +1-919-767-3969 Brazil: Delta Electronics Brazil Rua Itapeva, 26 - 3º andar Edificio Itapeva, One - Bela Vista 01332-000 - São Paulo - SP - Brazil TEL: +55-12-3932-2300 / FAX: +55-12-3932-237 Mexico: Delta Electronics International Mexico S.A. de C.V. Gustavo Baz No. 309 Edificio E PB 103 Colonia La Loma, CP 54060 Tlalnepantla, Estado de México TEL: +52-55-3603-9200		EMEA EMEA Headquarters: Delta Electronics (Netherlands) B.V. Sales: Sales.IA.EMEA@deltaww.com Marketing: Marketing.IA.EMEA@deltaww.com Technical Support: iatechnicalsupport@deltaww.com Customer Support: Customer-Support@deltaww.com Service: Service.IA.emea@deltaww.com TEL: +31(0)40 800 3900 BENELUX: Delta Electronics (Netherlands) B.V. Automotive Campus 260, 5708 JZ Helmond, The Netherlands Mail: Sales.IA.Benelux@deltaww.com TEL: +31(0)40 800 3900 DACH: Delta Electronics (Netherlands) B.V. Coesterweg 45, D-59494 Soest, Germany Mail: Sales.IA.DACH@deltaww.com TEL: +49(0)2921 987 0 France: Delta Electronics (France) S.A. ZI du bois Chaland 2, 15 rue des Pyrénées, Lisses, 91090 Evry Cedex, France TEL: +33(0)1 69 77 82 60 UK: Delta Electronics Europe Ltd. 1 Redwood Court, East Kilbride, Glasgow, G74 5PF, United Kingdom TEL: +44-1355-588-888		Iberia: Delta Electronics Solutions (Spain) S.L.U Ctra. De Villaverde a Vallecas, 265 1º Dcha Ed. Hormigueras - P.I. de Vallecas 28031 Madrid TEL: +34(0)91 223 74 20 Carrer Llacuna 166, 08018 Barcelona, Spain Mail: Sales.IA.Iberia@deltaww.com Italy: Delta Electronics (Italy) S.r.l. Via Meida 2-22060 Novedrate(CO) Piazza Grazioli 18 00186 Roma Italy Mail: Sales.IA.Italy@deltaww.com TEL: +39 039 8900365 Russia: Delta Energy System LLC Vereyskaya Plaza 11, office 112 Vereyskaya str. 17 121357 Moscow Russia Mail: Sales.IA.RU@deltaww.com TEL: +7 495 644 3240 Turkey: Delta Greentech Elektronik San. Ltd. Sti. (Turkey) Şenifali Mah. Hendem Cad. Kule Sok. No:16-A 34775 Ümraniye - İstanbul Mail: Sales.IA.Turkey@deltaww.com TEL: +90 216 499 9910 MEA: Eltek Dubai (Eltek MEA DMCC) OFFICE 2504, 25th Floor, Saba Tower 1, Jumeirah Lakes Towers, Dubai, UAE Mail: Sales.IA.MEA@deltaww.com TEL: +971(0)4 2690148			

*We reserve the right to change the information in this instruction sheet without prior notice.