

AS524C-B

EN Instruction Sheet
 TR Bilgi Dökümanı
 TW AS500C 系列主機簡易版說明
 CN AS500C 系列主机簡易版說明



5014077603
 2020-12-02



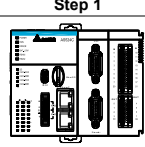
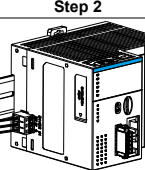
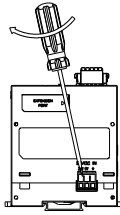
www.deltaww.com

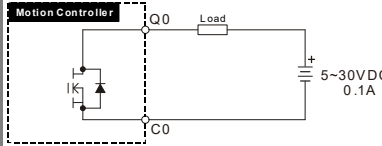


- EN ⚡ This is an OPEN TYPE module and therefore should be installed in an enclosure free of airborne dust, humidity, electric shock and vibration. The enclosure should prevent non-maintenance staff from operating the device (e.g. key or specific tools are required for operating the enclosure) in case danger and damage on the device may occur.
- FR ⚡ Ceci est un module ouvert et il doit donc être installé dans un coffret à l'abri des poussières, des vibrations et ne pas être exposé aux chocs électriques. Le boîtier ou l'armoire doit éviter toute action d'un personnel autre que celui affecté à la maintenance de l'appareil (par exemple, clefs, outils spécifiques pour l'ouverture du coffret), ceci afin d'éviter tout accident corporel ou endommagement du produit.
- TR ⚡ Bu ürün AÇIK TİP bir modül olup toz, rutubet, elektrik şoku ve titreşimden uzak kapalı yerlerde muhafaza edilmelidir. Yanlış kullanım sonucu ürünün zarar görmesini önlemek için yetkili olmayan kişiler tarafından ürüne müdahale edilmesini önleyecek koruyucu önlemler alınmalıdır. (Ürünün bulunduğu panoya kilit konulması gibi).
- TW ⚡ 本機為開放型 (OPEN TYPE) 機種，因此使用者使用本機時，必須將之安裝於具防塵、防潮及免於電擊/衝擊意外之外殼配線箱內。另必須具備保護措施 (如：特殊的工具或鑰匙才可打開) 防止非維護人員操作或意外衝擊本體，造成危險及損壞。
- CN ⚡ 本机为开放型 (OPEN TYPE) 机种，因此使用者使用本机时，必须将其安装于具防尘、防潮及免于电击/冲击意外的外壳配线箱内。另必须具备保护措施 (如：特殊的工具或钥匙才可打开) 防止非维护人员操作或意外冲击本体，造成危险及损坏。

EN Please refer to AS500C Series Operation Manual for details. TR Ayrıntılar için AS500C Serisi Uygulama Manueline bakınız.

TW 詳細資料請參考 AS500C 系列操作手冊 CN 详细资料请参考 AS500C 系列操作手冊

EN	Assembly	TR	Montaj	TW	安裝	CN	組裝
EN	Clip up the two DIN rail clip on the module. Parallel the module groove on the back to the DIN rail, then push and slide along until hearing a click.	TR	Modül üzerindeki iki DIN ray klipsini dışa doğru çekin. Alttaki modül oyuğunu DIN ray ile paralel konuma getiriniz ve sonra klik sesini duyana kadar klipsleri içe doğru bastırın.	TW	將模組上下方的兩個 DIN 軌固定扣往中間壓後，將模組後方勾槽平行對準 DIN 軌並往 DIN 軌壓直到喀一聲，即完成。	CN	將模块上下方的两个 DIN 轨固定扣往中间压后，将模块后方勾槽平行对准 DIN 轨并往 DIN 轨压直到喀一声，即完成。
							  

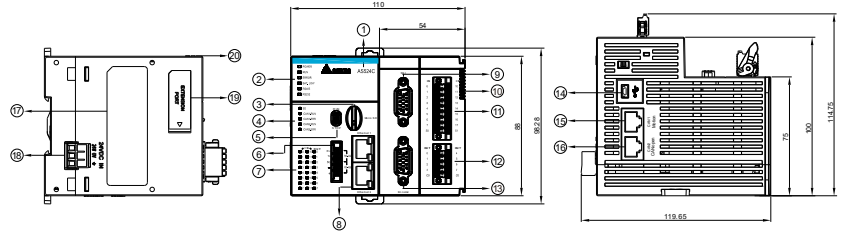
EN	I/O	TR	I/O	TW	輸入輸出	CN	輸入輸出
	Input port		Input port		Input Point Wiring		Output Point Wiring
	IN 0, 1, 2, 3, 4, 5, 6, 7, S0		IN 10, 11, 12, 13, 14, 15, 16, 17, S1		Mode Sink		All local output points of the motion controller are of transistor output. The wiring circuits are shown as below. 
	Output port		Output port		Mode Source		
	OUT 0, 1, 2, 3, C0		OUT 4, 5, 6, 7, C0		Wiring loop		

EN Dimensions(mm) & Product Profile

TR Ölçüler(mm) & Ürün Görünüşü

TW 尺寸 (mm) 及產品外觀

CN 尺寸 (mm) 及產品外觀



	EN	TR	TW	CN
1	Model name	Model adı	機種名稱	机种名称
2	Status indicator	Durum göstergesi	狀態指示燈	状态指示灯
3	SD card slot	SD kard slot	SD 卡插槽	SD 卡插槽
4	SD/CAN Status indicator	SD/CAN Durum göstergesi	SD/CAN 狀態指示燈	SD/CAN 状态指示灯
5	RUN/STOP switch	RUN/STOP anahtarı	RUN/STOP 開關	RUN/STOP 开关
6	RS-232/ RS-485 port	RS-232/ RS-485 port	RS-232/ RS-485 埠	RS-232/ RS-485 端口
7	I/O indicator	I/O indikatör	I/O 指示燈	I/O 指示灯
8	Ethernet communication port	Ethernet haberleşme port	乙太網埠	以太网通讯口
9	SSI communication port	SSI haberleşme port	SSI 埠	SSI 通讯口
10	Extension card slot	Genişleme kart slotu	擴充卡插槽	扩展卡插槽
11	Input terminal configuration	Giriş terminal konfigürasyonu	輸入端子配置	输入端子配置
12	Output terminal configuration	Çıkış terminal konfigürasyonu	輸出端子配置	输出端子配置
13	Encoder communication port	Encoder haberleşme port	Encoder 通訊埠	Encoder 通讯口
14	USB communication port	USB haberleşme port	USB 通訊埠	USB 通讯口
15	Motion communication port	Motion haberleşme port	Motion 通訊埠	Motion 通讯口
16	CANopen communication port	CANopen haberleşme port	CANopen 通訊埠	CANopen 通讯口
17	Label	Etiket	標籤	标签
18	DC power input	DC power girişi	電源輸入口	电源输入口
19	Function setup DIP switch	Fonksiyon ayar DIP switch	功能設定開關	功能设定开关
20	Battery holder (battery NOT included)	Pil yuvası (pil dahil değildir)	電池座 (本產品不隨機附贈電池)	电池座 (本产品不随机附赠电池)

Part Name	Hazardous Substances						Delta Electronics (Shanghai) Co., Ltd.	Industrial Automation Headquarters Delta Electronics, Inc.
	Pb	Hg	Cd	Cr VI	PBB	PBDE		
Metal Part	X	O	O	O	O	O	Delta Electronics (Shanghai) Co., Ltd. No.182 Minyu Rd., Pudong Shanghai, P.R.C. Post code : 201209 TEL: 86-21-6872-3988 / FAX: 86-21-6872-3996 Customer Service: 400-820-9595 Delta Electronics (Japan), Inc. Tokyo Office Industrial Automation Sales Department 2-1-14 Shibadaimon, Minato-ku Tokyo, Japan 105-0012 TEL: 81-3-5733-1155 / FAX: 81-3-5733-1255 Delta Electronics (Korea), Inc. Seoul Office 1511, 219, Gasan Digital 1-Ro., Geumcheon-gu, Seoul, 08501 South Korea TEL: 82-2-515-5305 / FAX: 82-2-515-5302 Delta Energy Systems (Singapore) Pte Ltd. 4 Kaki Bukit Avenue 1, #05-04, Singapore 417939 TEL: 65-6747-5155 / FAX: 65-6744-9228 Delta Electronics (India) Pvt. Ltd. Plot No.43, Sector 35, HSIDC Gurgaon, PIN 122001, Haryana, India TEL: 91-124-4874900 / FAX : 91-124-4874945	Industrial Automation Headquarters Delta Electronics, Inc. Taoyuan Technology Center No.18, Xinglong Rd., Taoyuan District, Taoyuan City, 33068, Taiwan TEL: 886-3-362-6301 / FAX: 886-3-371-6301
Plastic Part	O	O	O	O	O	O		
Electronic Components	X	O	O	O	O	O	中达电通股份有限公司 地址：上海市浦东新区区民复路 238 号 邮编：201209 电话：(021) 5863-5678 传真：(021) 5863-0003	Delta Greentech (China) Co., Ltd. 238 Min-Xia Road, Pudong District, Shanghai, P.R.C. 201209 TEL: 86-21-5863-5678 / FAX: 86-21-5863-0003
Cable & Cabling accessories	X	O	O	O	O	O		
Battery	O	O	O	O	O	O	上海 电话：(021)6301-2827 武汉 电话：(027)8544-847 济南 电话：(0531)8690-7277 乌鲁木齐 电话：(0991)4678-141 沈阳 电话：(024)2334-16123 南昌 电话：(0791)8625-5010 长沙 电话：(0731)8827-7881 郑州 电话：(0371)6384-2772 西安 电话：(029)8636-0780 长春 电话：(0431)8892-5060 合肥 电话：(0551)6281-6777 南京 电话：(025)8334-6585 杭州 电话：(0571)8882-0610 厦门 电话：(0592)5313-601 天津 电话：(022)2301-5082 太原 电话：(0351)4039-475 重庆 电话：(023)8806-0306 哈尔滨 电话：(0451)5366-0643	
This table is made according to SJ/T 11364. O: Indicates that the concentration of hazardous substance in all of the homogeneous materials for this part is below the limit as stipulated in GB/T 26572. X: Indicates that concentration of hazardous substance in at least one of the homogeneous materials used for this part is above the limit as stipulated in GB/T 26572.								
Asia Delta Electronics (Thailand) PCL. 909 Soi 9, Moo 4, Bangpoo Industrial Estate (E.P.Z), Pattana 1 Rd., T.Phraksa, A.Muang, Samutprakarn 10280, Thailand TEL: 66-2709-2800 / FAX : 662-709-2827 Delta Energy Systems (Australia) Pty Ltd. Unit 20-21/45 Normanby Rd., Notting Hill Vic 3168, Australia TEL: 61-3-9543-3720 Americas Delta Electronics (Americas) Ltd. Raleigh Office P.O. Box 12173, 5101 Davis Drive, Research Triangle Park, NC 27709, U.S.A. TEL: 1-919-767-3813 / FAX: 1-919-767-3969 Delta Electronics Brazil São Paulo Sales Office Rua Itapeva, 26 - 3°, andar Edifício Itapeva, One - Bela Vista 01332-000 - São Paulo - SP - Brazil TEL: 55-12-3932-2300 / FAX: 55-12-3932-2337 Delta Electronics (India) Pvt. Ltd. Mexico Office Gustavo Baz No. 309 Edificio E PB 103 Colonia La Loma, CP 54060 Tlalnepantla, Estado de México TEL: 52-55-3603-9200								
EMEA Headquarter: Delta Electronics (Netherlands) B.V. Sales: Sales.IA.EMEA@deltaww.com Marketing: Marketing.IA.EMEA@deltaww.com Technical Support: iatechnicalsupport@deltaww.com Customer Support: Customer-Support@deltaww.com Service: Service.IA.emea@deltaww.com TEL: 31(0)40 800 3900 BENELUX: Delta Electronics (Netherlands) B.V. De Witbogt 20, 5652 AG Eindhoven, The Netherlands Mail: Sales.IA.Benelux@deltaww.com TEL: 31(0)40 800 3900 DACH: Delta Electronics (Netherlands) B.V. Coesterweg 45, D-59494 Soest, Germany Mail: Sales.IA.DACH@deltaww.com TEL: 49(0)2921 987 0 France: Delta Electronics (France) S.A. ZI du bois Challand 2, 15 rue des Pyrénées, Lisses, 91090 Evry Cedex, France Mail: Sales.IA.FR@deltaww.com TEL: 33(0)1 69 77 82 60 Iberia: Delta Electronics Solutions (Spain) S.L.U Ctra. De Villaverde a Vallecas, 265 1º Dcha Ed. Hormigueras - P.I. de Vallecas 28031 Madrid TEL: 34(0)91 223 74 20 Carrer Llacuna 166, 08018 Barçelona, Spain Mail: Sales.IA.Iberia@deltaww.com								
Italy: Delta Electronics (Italy) S.r.l. Via Meda 2 - 2250 Novedrate (CO) Piazza Grazioli 18 00186 Roma Italy Mail: Sales.IA.Italy@deltaww.com TEL: 39-039-8900365 Russia: Delta Energy System LLC Vereyskaya Plaza II, office 112 Vereyskaya str. 17 121357 Moscow Russia Mail: Sales.IA.RU@deltaww.com TEL: 7 495 644 3240 Turkey: Delta Greentech Elektronik San. Ltd. Sti. (Turkey) Serifali Mah. Hendem Cad. Kule Sok. No:16-A 34775 Ümraniye - Istanbul Mail: Sales.IA.Turkey@deltaww.com TEL: 90 216 499 9910 GCC: Delta Energy Systems AG (Dubai BR) P.O. Box 185668, Gate 7, 3rd Floor, Hamarain Centre Dubai, United Arab Emirates Mail: Sales.IA.MEA@deltaww.com TEL: 971(0)4 2690148 Egypt + North Africa: Delta Electronics Unit 318, 3rd Floor, Trivium Business Complex, North 90 street, New Cairo, Cairo, Egypt Mail: Sales.IA.MEA@deltaww.com								