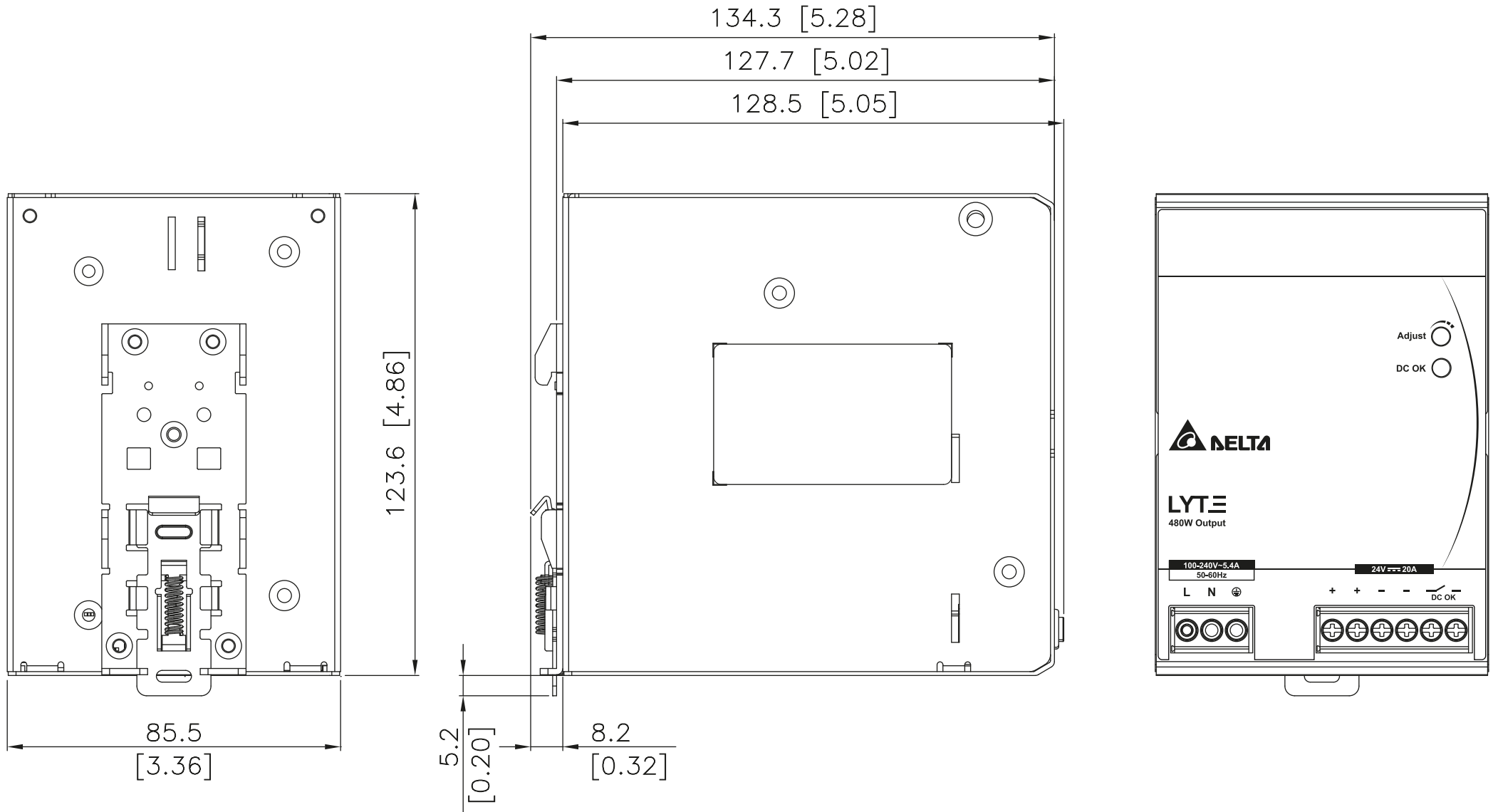




# LYTE DIN Rail Power Supply

24V 480W 1 Phase / DRL-24V480W1AS





# LYTE DIN Rail Power Supply

24V 480W 1 Phase / DRL-24V480W1AA

