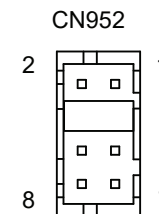
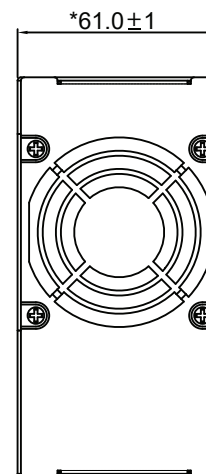
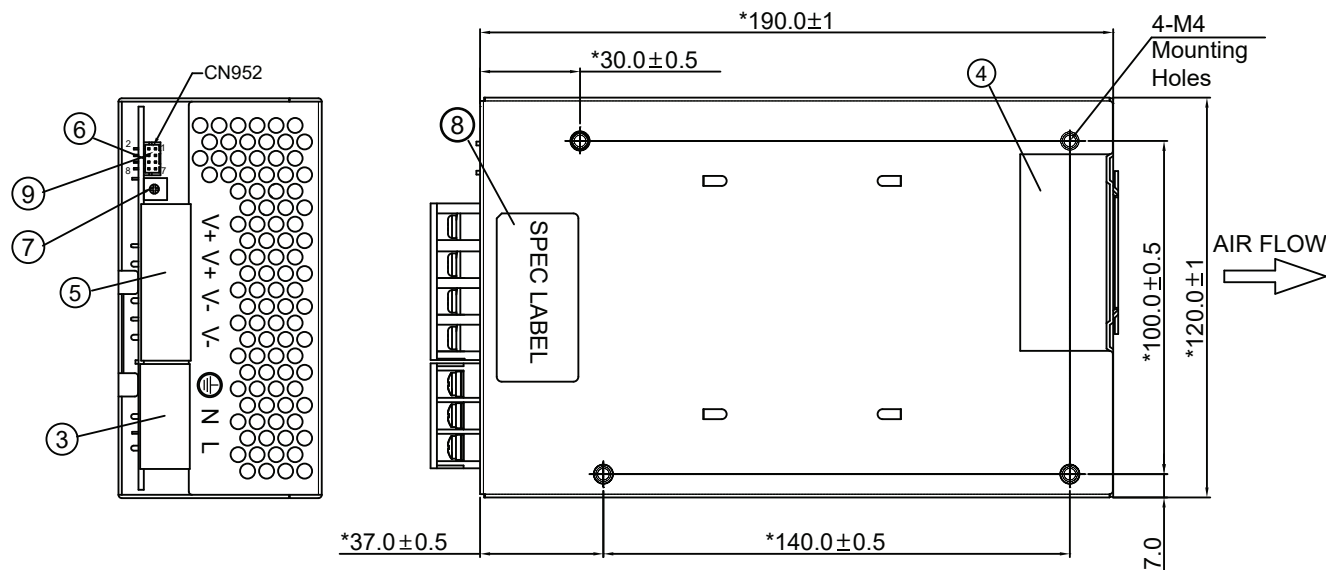
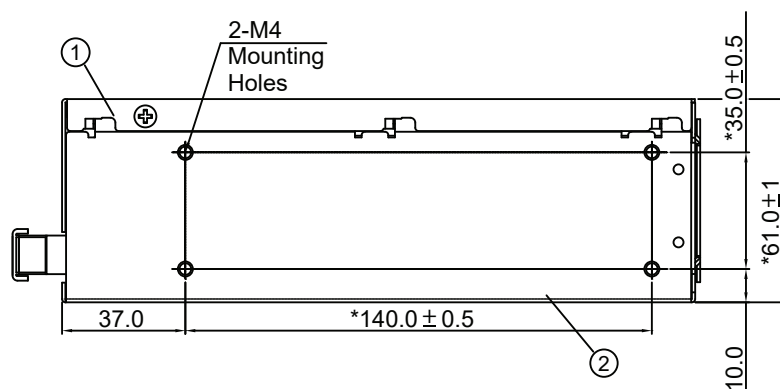


PMC Panel Mount Power Supply

PMC-24V600W1RW



	CN952 PIN ASSIGNMENT
1	Remote Sense +
2	Remote Sense -
3	Remote ON/OFF +
4	Remote ON/OFF -
5	NA
6	NA
7	NA
8	NA



NOTES:

1. MARK MUST BE INSPECTED AND CONTROLLED STRICTLY BY QA.
2. MOUNTING TORQUE : 14.7Kgf-cm MAX
3. TERMINAL BLOCK SCREW TIGHENING TORQUE : 13.5Kgf-cm MAX

ITEM	PART NAME
1	COVER
2	CHASSIS
3	INPUT CONNECTOR
4	FAN
5	OUTPUT CONNECTOR
6	SIGNAL CONNECTOR (JST S8B-PHDSS)
7	OUTPUT VOLTAGE ADJUST
8	SPEC LABEL
9	JUMPER CONNECTOR

© 2021 Delta Electronics, Inc.

www.DeltaPSU.com

